

PARTS LIST

[TH-A5]

* All printed circuit boards and its assemblies are not available as service parts.

Area suffix

US ----- Singapore
 UB ----- Hong Kong
 UW ----- Brazil, Mexico, Peru
 UY ----- Argentina
 UJ ----- U.S. Military
 UG - Turkey, South Africa, Egypt
 A ----- Australia

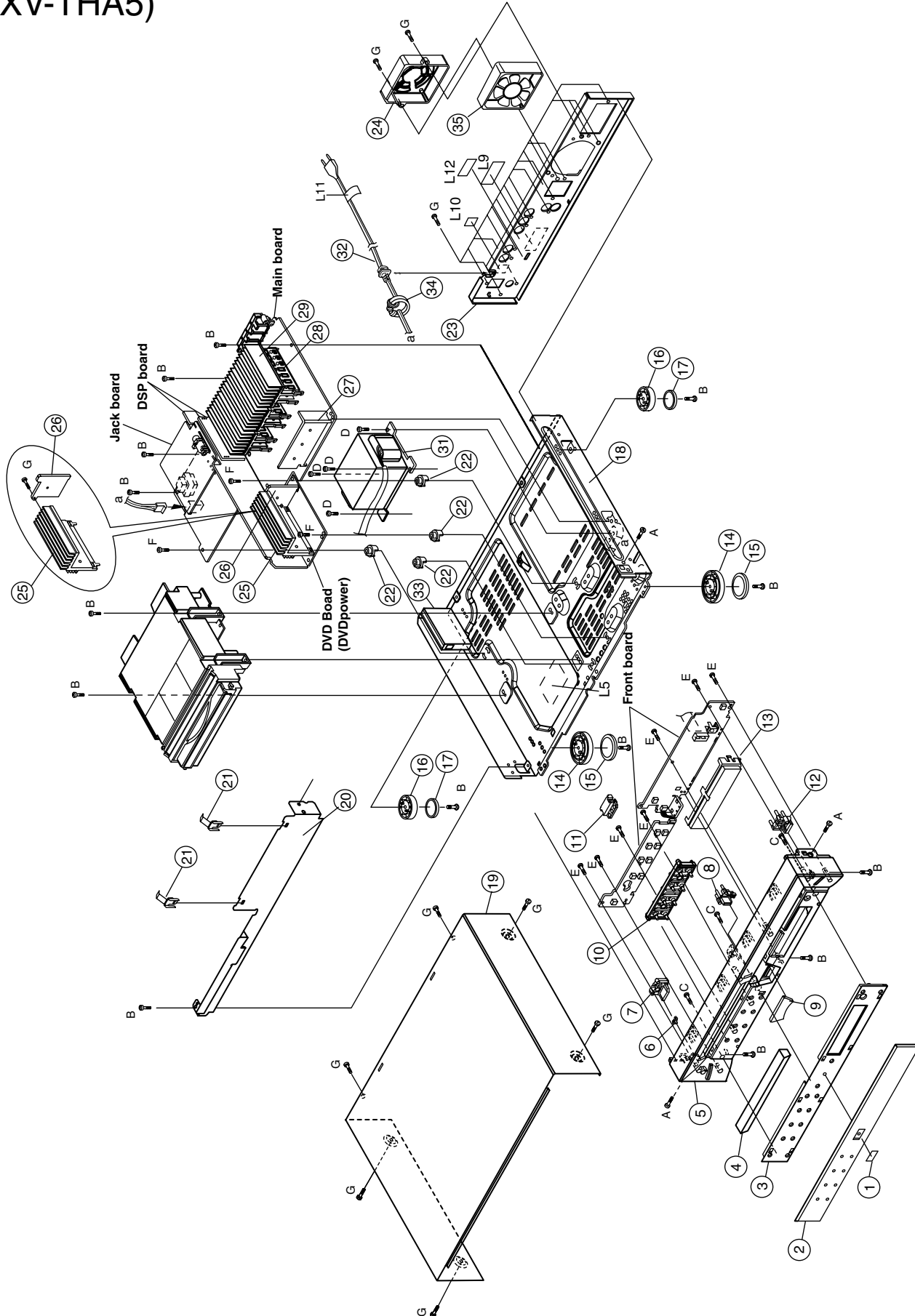
- Contents -

Exploded view of general assembly and parts list (Block No.M1)XV-THA5	3- 3
Exploded view of general assembly and parts list (Block No.M2)SP-WA5	3- 5
DVD mechanism assembly and parts list (Block No.MJ)	3- 6
Electrical parts list (Block No.01~06)	3- 8
Packing materials and accessories parts list (Block No.M3,M5)	3-26

Exploded view of general assembly and parts list

(XV-THA5)

Block No. M 1 M M



■ Parts list (General assembly)

Block No. M1MM

△	Item	Parts number	Parts name	Q'ty	Description	Area
	A	6002-000126	SCREW	2		
	B	6003-000398	SCREW	16		
	C	6003-000276	SCREW	27		
	D	AH60-10107A	SCREW	4		
	E	AH60-10020D	SCREW	9		
	F	6003-000278	SCREW	3		
	G	AH60-00025A	SCREW	3		
	1	AH64-01539A	DVD BADGE	1		
	2	AH64-01540C	FRONT WINDOW	1		
	3	AH61-00834A	FRONT CAP	1		
	4	AH64-01453B	TRAY DOOR	1		
	5	AH64-01452A	FRONT CABINET	1		
	6	AH67-00129A	POWER LENS	1		
	7	AH64-01454A	POWER BUTTON	1		
	8	AH64-01455A	OPEN BUTTON	1		
	9	AH67-00128A	FRONT LENS	1		
	10	AH64-01457A	FUNCTION BUTTON	1		
	11	AH61-00836A	LED HOLDER	1		
	12	AH64-01456A	PLAY BUTTON	1		
	13	AH61-00835A	VFD HOLDER	1		
	14	AH61-00766A	FOOT HOLDER	2	FRONT	
	15	AH69-00503A	FOOT CUSHION	2	FRONT	
	16	AH61-00777A	FOOT HOLDER	2	REAR	
	17	AH69-00503B	FOOT CUSHION	2	REAR	
	18	AH64-01357A	BOTTOM CABINET	1		
	19	AH64-01358C	TOP CABINET	1		
	20	AH63-00383A	SHIELD-FRONT	1		
	21	AH63-00388B	SHIELD-TOP	2	FOR F.SHIELD	
	22	AH61-00774A	PCB HOLDER	4		
	23	AH64-01359E	REAR CABINET	1	2 VOLTAGE EXSEP	US,UB,UJ
		AH64-01359E	REAR CABINET	1	2 VOLTAGE EXSEP	UY,UG,UW
		AH64-01359D	REAR CABINET	1	1 VOLTAGE A ONL	A
	24	AH63-00303A	FAN COVER	1		
	25	AH62-00051C	HEAT SINK D	1		
	26	AH62-00051D	HEAT SINK B	1		
	27	AH62-00052A	HEAT-SINK	1	DIODE	
	28	AH61-00779A	IC HOLDER	6		
	29	AH62-00050A	HEAT SINK M	3		
△	31	AH26-00147A	POWER TRANS.	1	TP-1	
△	32	AH39-00258C	POWER CORD	1		UY
△		AH39-00258P	POWER CORD	1		UB
△		AH39-00257K	POWER CORD	1		A
△		AH39-00257F	POWER CORD	1	250V,2.5A,1650M	US,UJ
△		AH39-00257F	POWER CORD	1	250V,2.5A,1650M	UG,UW
	33	AH40-00016A	TUNER-PACK ASSY	1		
	34	3301-001525	FERRITE CORE	1	AC,34.5	
	35	AH31-00029A	MOTOR FAN	1	C161NK10B0110	
	L 5	AH68-00967A	LABEL-DTS	1		

■ **Parts list (General assembly)**

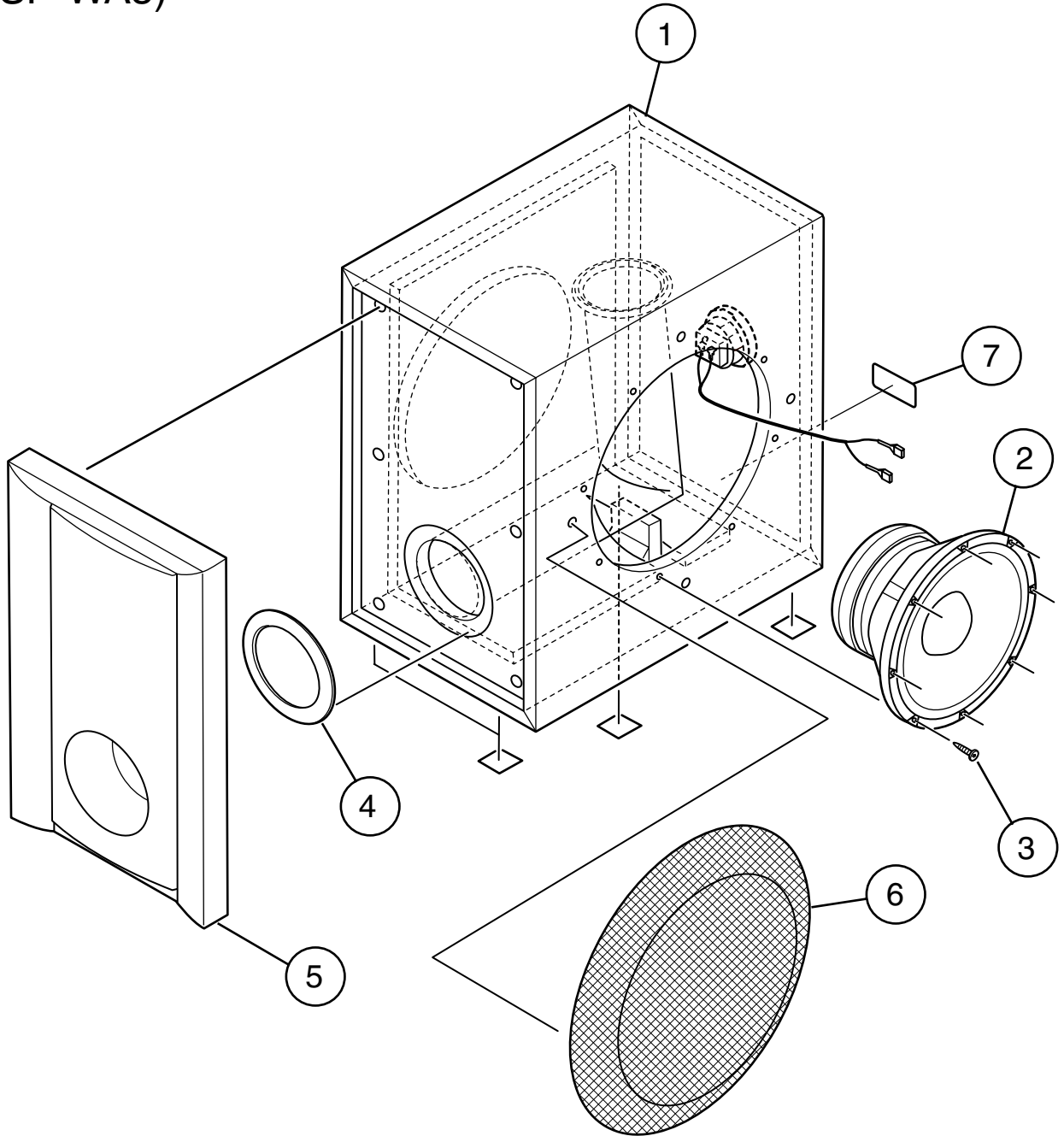
Block No. M1MM

⚠	Item	Parts number	Parts name	Q'ty	Description	Area
	L 9	AH68-00989H	LABEL-RATING	1		A
		AH68-00989F	LABEL-RATING	1		US,UG,UB
		AH68-00989F	LABEL-RATING	1		UJ,UY,UW
	L 10	AH68-00093L	LABEL-NO.4	1		A,UW,UY
		AH68-00093E	LABEL-NO,1	1		UJ
		AH68-00093J	LABEL-NO,3	1		US,UB
		AH68-00093G	LABEL-NO,2	1		UG
	L 11	AH68-50282D	LABEL-CAUTION	1		US
	L 12	AH68-00331F	LABEL	1		A

Exploded view of general assembly and parts list


(SP-WA5)

Block No. M 2 M M



Parts list (General assembly)SP-WA5

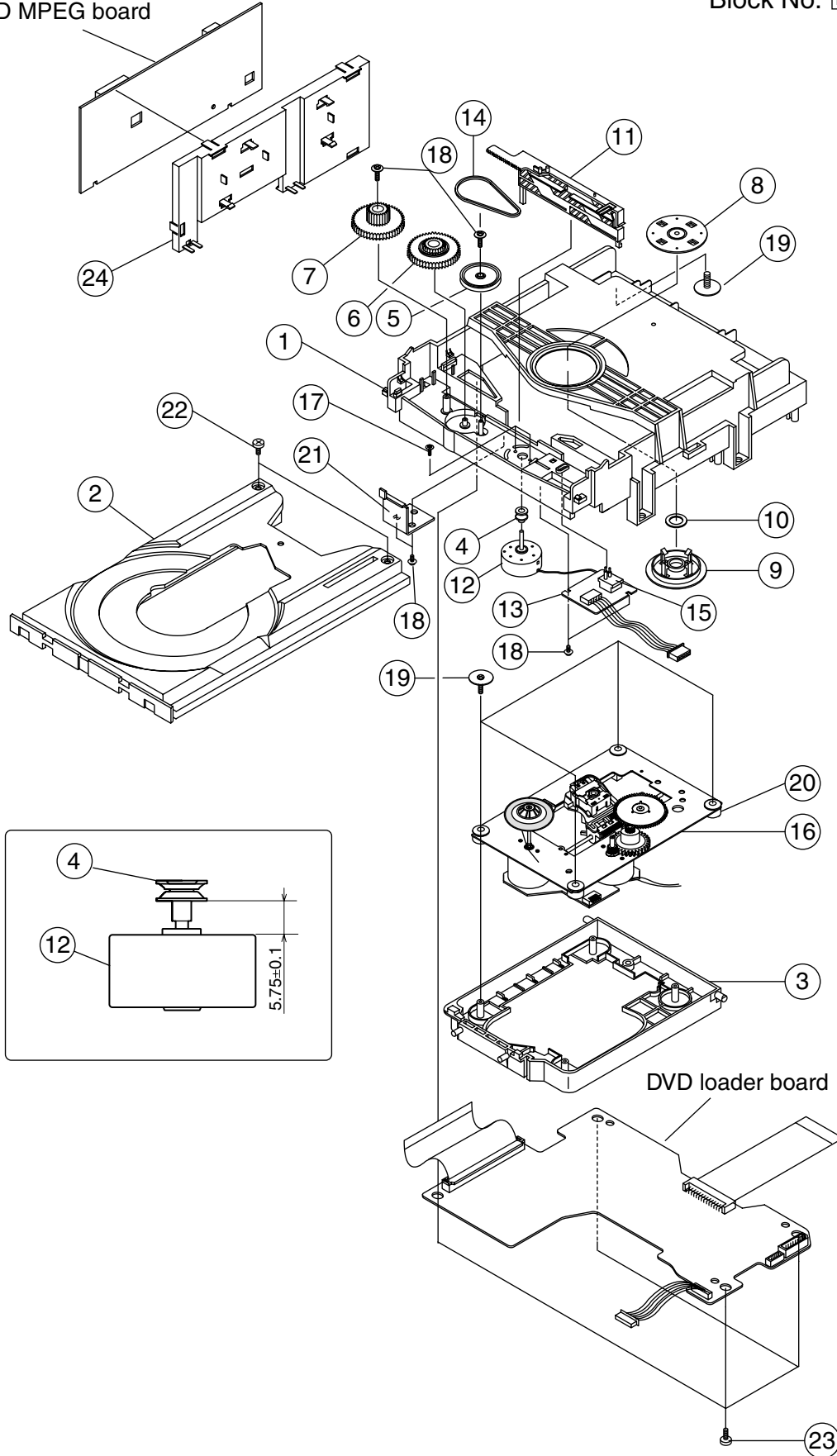
Block No. M2MM

	Item	Parts number	Parts name	Q'ty	Description	Area
	1	AA000026-01	CABINET	1		
	2	CR200027-01	SPEAKER	1	LE10020-007A	
	3	70-059-416-02	SCREW	8		
	4	29-100-086-01	PACKING RING	1		
	5	53-000-158-11	ORNAMENT	1	LV21155-002A	
	6	99-200-019-01	NET ASSY	1	LV33134-001A	
	7	60-001-856-01	RATING LABEL	1		

DVD mechanism assembly and parts list

Block No. M J M M

DVD MPEG board



■ Parts list (DVD mechanism)
Block No. MJMM

△	Item	Parts number	Parts name	Q'ty	Description	Area
	1	AH61-00746A	BASE-MAIN	1	BLK	
	2	AH63-00294A	TRAY-DISC	1	D/GRAY	
	3	AH66-00159A	LEVER-LIFT	1	BLK	
	4	AH66-00160A	PULLEY-MOTOR	1		
	5	AH66-00161A	GEAR-PULLEY	1		
	6	AH66-00162A	GEAR-MIDDLE	1		
	7	AH66-00163A	GEAR-TRAY	1		
	8	AH66-00164A	CLAMPER-UPPER	1	UPPER	
	9	AH66-00165A	CLAMPER-LOWER	1	LOWER	
	10	AH61-00747A	BRACKET-CHUCK	1	T1.0	
	11	AH66-00166A	SLIDE-CAM	1		
	12	AH31-00030A	MOTOR-DC	1	RF-300CA-11440	
	13	-----	PCB-SWITCH	1	26.5 X 21.6	
	14	AH66-00167A	BELT-PULLEY	1	CR 1.5	
	15	3409-001119	SWITCH-DETECTOR	1	JDS2200	
	16	AH59-00130A	DVD DECK	1	CMS-S21MG6	
	17	6001-001257	SCREW-MACHINE	2	1.7 X 3(W4.5)	
	18	AJ60-10001A	SCREW-TAP	6	2 X 5(W7)	
	19	6003-001210	SCREW-TAP	5	2.6 X 6(W12)	
	20	AH73-00025B	RUBBER-CD	4	BUTYL 15	
	21	AH61-00958A	BRACKET-GUIDE	1	SECC 1.0T	
	22	6003-000283	SCREW-TAP	2	3 X 8	
	23	6003-000276	SCREW-TAP	4	3 X 10	
	24	AH61-00828A	HOLDER-PCB	1	ABS BLK	

■ Electrical parts list (Main board)

Block No. 01

△	Item	Parts number	Parts name	Remarks	Area	△	Item	Parts number	Parts name	Remarks	Area
	AR48	2007-000097	CHIP RESISTOR				C41W	2203-000062	CHIP CAPACITOR		
△	BD1	0402-001077	BRIDGE DIODE				C43C	2401-000909	E.CAPACITOR		
△	BD2	0402-001258	BRIDGE DIODE				C43FL	2401-000909	E.CAPACITOR		
△	BD3	0402-001258	BRIDGE DIODE				C43FR	2401-000909	E.CAPACITOR		
△	BD4	0402-001258	BRIDGE DIODE				C43RL	2401-000909	E.CAPACITOR		
△	CW1	3711-000190	CONNECTOR				C43RR	2401-000909	E.CAPACITOR		
	CW2	3711-004849	CONNECTOR				C43W	2401-001502	E.CAPACITOR		
	CW3	3711-001098	CONNECTOR				C44C	2203-000704	CHIP.CAPACITOR		
	CW4	3708-001311	CONNECTOR				C44FL	2203-000704	CHIP.CAPACITOR		
	CW5	3711-004110	CONNECTOR				C44FR	2203-000704	CHIP.CAPACITOR		
	CW6	3711-004110	CONNECTOR				C44RL	2203-000704	CHIP.CAPACITOR		
	CW7	3711-004110	CONNECTOR				C44RR	2203-000704	CHIP.CAPACITOR		
	CW8	3708-001094	CONNECTOR				C44W	2203-000280	CHIP.CAPACITOR		
△	C1	2201-000546	C.CAPACITOR				C47C	2301-000375	C-FILM,PEF		
	C10	2401-001912	E.CAPACITOR				C47FL	2301-000375	C-FILM,PEF		
	C11	2401-000795	E.CAPACITOR				C47FR	2301-000375	C-FILM,PEF		
	C12	2401-001954	E.CAPACITOR				C47RL	2301-000375	C-FILM,PEF		
	C13	2401-001912	E.CAPACITOR				C47RR	2301-000375	C-FILM,PEF		
	C14	2201-000161	C.CAPACITOR				C47W	2301-000375	C-FILM,PEF		
	C15	2201-000161	C.CAPACITOR				C5	2201-000546	C.CAPACITOR		
	C16	2201-000161	C.CAPACITOR				C52	2401-001975	E.CAPACITOR		
	C17	2201-000161	C.CAPACITOR				C54	2401-001975	E.CAPACITOR		
△	C18	2401-002258	E.CAPACITOR				C55	2401-001975	E.CAPACITOR		
△	C19	2401-002258	E.CAPACITOR				C6	2201-000546	C.CAPACITOR		
△	C2	2201-000546	C.CAPACITOR			△	C7	2401-001538	E.CAPACITOR		
△	C20	2401-003116	E.CAPACITOR				C8	2401-000438	E.CAPACITOR		
	C202L	2203-000783	CHIP CAPACITOR				C9	2401-001413	E.CAPACITOR		
	C202R	2203-000783	CHIP CAPACITOR				D1	0402-000127	DIODE		
△	C21	2401-003116	E.CAPACITOR				D10	0401-001090	DIODE		
△	C22	2401-001959	E.CAPACITOR				D11	0402-000127	DIODE		
△	C23	2401-001959	E.CAPACITOR				D12	0401-001090	DIODE		
	C25	2401-001895	E.CAPACITOR				D13	0401-001090	DIODE		
	C26	2401-001895	E.CAPACITOR				D14	0401-001090	DIODE		
	C27	2401-001895	E.CAPACITOR				D15	0401-001090	DIODE		
	C28	2401-000459	E.CAPACITOR				D16	0401-001090	DIODE		
	C29	2401-000459	E.CAPACITOR				D17	0401-001090	DIODE		
	C3	2201-000546	C.CAPACITOR				D2	0402-000127	DIODE		
	C30	2401-001969	E.CAPACITOR				D20	0401-001090	DIODE		
	C31	2401-001969	E.CAPACITOR				D201	0401-001090	DIODE		
	C32C	2201-000300	C.CAPACITOR				D202	0401-001090	DIODE		
	C32FL	2202-000796	C.CAPACITOR				D203	0401-001090	DIODE		
	C32FR	2202-000796	C.CAPACITOR				D204	0401-001090	DIODE		
	C32RL	2202-000796	C.CAPACITOR				D205	0401-001090	DIODE		
	C32RR	2202-000796	C.CAPACITOR				D206	0401-001090	DIODE		
	C32W	2201-000300	C.CAPACITOR				D207	0401-001090	DIODE		
	C33C	2203-000440	CHIP CAPACITOR				D208	0403-001376	ZENER DIODE		
	C33FL	2202-000796	C.CAPACITOR				D209	0401-001090	DIODE		
	C33FR	2203-000440	CHIP CAPACITOR				D21	0401-001090	DIODE		
	C33RL	2201-000300	C.CAPACITOR				D210	0401-001090	DIODE		
	C33RR	2201-000300	C.CAPACITOR				D211	0401-001090	DIODE		
	C33W	2203-000440	CHIP CAPACITOR				D212	0401-001090	DIODE		
	C34	2401-000385	E.CAPACITOR				D213	0401-001090	DIODE		
	C35	2401-001361	E.CAPACITOR				D214	0401-001090	DIODE		
	C37	2401-001975	E.CAPACITOR				D215	0401-001090	DIODE		
	C39	2401-001538	E.CAPACITOR				D216	0401-001090	DIODE		
	C4	2201-000546	C.CAPACITOR				D217	0401-001090	DIODE		
	C40C	2401-000407	E.CAPACITOR				D218	0401-001090	DIODE		
	C40FL	2401-000407	E.CAPACITOR				D22	0402-000309	DIODE		
	C40FR	2401-000407	E.CAPACITOR				D23	0402-000309	DIODE		
	C40RL	2401-000407	E.CAPACITOR				D24	0402-000309	DIODE		
	C40RR	2401-000407	E.CAPACITOR				D28	0401-001090	DIODE		
	C40W	2401-000407	E.CAPACITOR				D29	0401-001090	DIODE		
	C41C	2203-001554	CHIP CAPACITOR				D3	0401-000101	DIODE		

■ Electrical parts list (Main board)

Block No. 01

△	Item	Parts number	Parts name	Remarks	Area	△	Item	Parts number	Parts name	Remarks	Area
	D30	0401-001090	DIODE				D8	0402-000127	DIODE		
	D31	0401-001090	DIODE				D9	0401-001090	DIODE		
	D32	0401-001090	DIODE			△	FU1	3601-000216	FUSE		
	D33	0401-001090	DIODE			△	FU2	3601-000216	FUSE		
	D34	0401-001090	DIODE			△	FU3	3601-000319	FUSE	80MA(15.5MM)	
	D35C	0401-001090	DIODE			△	FU4	3601-000319	FUSE	80MA(15.5MM)	
	D35FL	0401-001090	DIODE				HFU1	3602-000147	FUSE-CLIP		
	D35FR	0401-001090	DIODE				HFU2	3602-000147	FUSE-CLIP		
	D35RL	0401-001090	DIODE				HFU3	3602-000147	FUSE-CLIP		
	D35RR	0401-001090	DIODE				HFU4	3602-000147	FUSE-CLIP		
	D35W	0401-001090	DIODE				HR2	2007-000129	CHIP RESISTOR		
	D36C	0401-001090	DIODE				IC1	1203-000276	IC		
	D36FL	0401-001090	DIODE				IC2	1201-000163	IC		
	D36FR	0401-001090	DIODE				IC3	1203-000242	IC		
	D36RL	0401-001090	DIODE				IC4	1203-000110	IC		
	D36RR	0401-001090	DIODE				IC5	1201-000163	IC		
	D36W	0401-001090	DIODE				IC6	1201-000163	IC		
	D37C	0401-001090	DIODE				IC7	1201-000163	IC		
	D37FL	0401-001090	DIODE				IC8	1203-000242	IC		
	D37FR	0401-001090	DIODE				JW100	2007-000033	CHIP RESISTOR		
	D37RL	0401-001090	DIODE				JW102	2007-000033	CHIP RESISTOR		
	D37RR	0401-001090	DIODE				JW104	2007-000033	CHIP RESISTOR		
	D37W	0401-001090	DIODE				JW106	2007-000033	CHIP RESISTOR		
	D38C	0401-001090	DIODE				J1	3716-001173	TERMINAL BLOCK		
	D38FL	0401-001090	DIODE				J2	3716-001132	TERMINAL BLOCK		
	D38FR	0401-001090	DIODE				J3	3722-001727	AUX JACK		
	D38RL	0401-001090	DIODE			△	L1	AH27-10001F	CHOKE COIL		
	D38RR	0401-001090	DIODE			△	L2	AH27-10001F	CHOKE COIL		
	D38W	0401-001090	DIODE				L3C	AH27-90001A	SPRING COIL		
	D39C	0402-000309	DIODE				L3FL	AH27-90001A	SPRING COIL		
	D39FL	0402-000309	DIODE				L3FR	AH27-90001A	SPRING COIL		
	D39FR	0402-000309	DIODE				L3RL	AH27-90001A	SPRING COIL		
	D39RL	0402-000309	DIODE				L3RR	AH27-90001A	SPRING COIL		
	D39RR	0402-000309	DIODE				L3W	AH27-90001A	SPRING COIL		
	D39W	0402-001484	DIODE				MR18	2007-000106	CHIP RESISTOR		
	D4	0402-000127	DIODE				MR19	2007-000090	CHIP RESISTOR		
	D40C	0402-000309	DIODE			△	PBD1	0402-001258	BRIDGE DIODE		
	D40FL	0402-000309	DIODE			△	PBD2	0402-001408	BRIDGE DIODE		
	D40FR	0402-000309	DIODE				PC1	2401-000230	E.CAPACITOR		
	D40RL	0402-000309	DIODE				PC10	2401-000475	E.CAPACITOR		
	D40RR	0402-000309	DIODE				PC11	2401-001895	E.CAPACITOR		
	D40W	0402-000309	DIODE				PC12	2401-001895	E.CAPACITOR		
	D41C	0402-000309	DIODE				PC13	2401-000475	E.CAPACITOR		
	D41FL	0402-000309	DIODE				PC14	2401-001895	E.CAPACITOR		
	D41FR	0402-000309	DIODE				PC15	2401-001895	E.CAPACITOR		
	D41RL	0402-000309	DIODE				PC16	2401-001102	E.CAPACITOR		
	D41RR	0402-000309	DIODE				PC17	2401-001895	E.CAPACITOR		
	D41W	0402-000309	DIODE				PC18	2401-001102	E.CAPACITOR		
	D42C	0402-000309	DIODE				PC19	2201-000546	C.CAPACITOR		
	D42FL	0402-000309	DIODE				PC2	2401-000357	E.CAPACITOR		
	D42FR	0402-000309	DIODE				PC20	2201-000546	C.CAPACITOR		
	D42RL	0402-000309	DIODE			△	PC3	2401-001879	E.CAPACITOR		
	D42RR	0402-000309	DIODE			△	PC4	2401-001879	E.CAPACITOR		
	D42W	0402-001484	DIODE				PC5	2401-001052	E.CAPACITOR		
	D5	0402-000127	DIODE				PC6	2401-000475	E.CAPACITOR		
	D51	0401-001090	DIODE				PC7	2401-001895	E.CAPACITOR		
	D52	0401-001090	DIODE				PC8	2401-000475	E.CAPACITOR		
	D53	0401-001090	DIODE				PC9	2401-001895	E.CAPACITOR		
	D54	0401-001090	DIODE				PD1	0402-000127	DIODE		
	D55	0401-001090	DIODE				PD10	0404-000156	DIODE-SCHOTTKY		
	D6	0402-000127	DIODE				PD2	0401-000101	DIODE		
	D65	0401-001090	DIODE				PD3	0401-000101	DIODE		
	D7	0402-000127	DIODE				PD4	0401-000101	DIODE		

■ Electrical parts list (Main board)

Block No. 01

△	Item	Parts number	Parts name	Remarks	Area	△	Item	Parts number	Parts name	Remarks	Area
	PD5	0401-000101	DIODE				Q21FL	0501-000294	TRANSISTOR		
	PD7	0401-000101	DIODE				Q21FR	0501-000294	TRANSISTOR		
	PD8	0401-000101	DIODE				Q21RL	0501-000294	TRANSISTOR		
	PD9	0401-000101	DIODE				Q21RR	0501-000294	TRANSISTOR		
	PQ1	1203-001589	IC				Q21W	0501-000294	TRANSISTOR		
	PQ2	1203-001006	IC				Q22C	0501-000010	TRANSISTOR		
	PQ3	0502-000303	TRANSISTOR				Q22FL	0501-000010	TRANSISTOR		
	PQ4	1203-001586	IC				Q22FR	0501-000010	TRANSISTOR		
	PQ5	1203-001697	IC	78R08 T0-220 4P			Q22RL	0501-000010	TRANSISTOR		
	PQ6	1203-001006	IC				Q22RR	0501-000010	TRANSISTOR		
	PQ7	1203-002296	IC	BA3254FP-E2			Q22W	0501-000010	TRANSISTOR		
	PR1	2003-000701	OMF RESISTOR				Q23C	0501-000010	TRANSISTOR		
	PR2	2007-000091	CHIP RESISTOR				Q23FL	0501-000010	TRANSISTOR		
	PR21	2007-000091	CHIP RESISTOR				Q23FR	0501-000010	TRANSISTOR		
	PR3	2007-000309	CHIP RESISTOR				Q23RL	0501-000010	TRANSISTOR		
	PR4	2003-000471	OMF RESISTOR				Q23RR	0501-000010	TRANSISTOR		
	PR5	2007-000309	CHIP RESISTOR				Q23W	0501-000010	TRANSISTOR		
	PR6	2007-000094	CHIP RESISTOR				Q24C	0501-000010	TRANSISTOR		
	PR7	2007-000129	CHIP RESISTOR				Q24FL	0501-000010	TRANSISTOR		
	PR8	2007-000092	CHIP RESISTOR				Q24FR	0501-000010	TRANSISTOR		
	PR9	2007-000094	CHIP RESISTOR				Q24RL	0501-000010	TRANSISTOR		
△	PT1	AH26-00143B	POWER TRANS				Q24RR	0501-000010	TRANSISTOR		
	PW1	3711-000963	CONNECTOR				Q24W	0501-000010	TRANSISTOR		
	PW2	3711-003111	CONNECTOR				Q25C	0501-000010	TRANSISTOR		
	PW3	3711-004109	CONNECTOR				Q25FL	0501-000010	TRANSISTOR		
	PW4	AH39-00291A	LEAD CONNECTOR				Q25FR	0501-000010	TRANSISTOR		
	PW5	3708-001311	CONNECTOR				Q25RL	0501-000010	TRANSISTOR		
	PZD1	0403-000564	ZENER DIODE				Q25RR	0501-000010	TRANSISTOR		
	PZD2	0403-000564	ZENER DIODE				Q25W	0501-000010	TRANSISTOR		
	Q1	0504-000118	DEGI TRANSISTOR				Q26C	0501-000294	TRANSISTOR		
	Q10	0501-000398	TRANSISTOR				Q26FL	0501-000294	TRANSISTOR		
	Q11	0501-000398	TRANSISTOR				Q26FR	0501-000294	TRANSISTOR		
	Q12	0504-001003	DEGI TRANSISTOR				Q26RL	0501-000294	TRANSISTOR		
	Q13	0501-000303	TRANSISTOR				Q26RR	0501-000294	TRANSISTOR		
	Q14	0501-000398	TRANSISTOR				Q26W	0501-000294	TRANSISTOR		
	Q15	0501-000398	TRANSISTOR				Q27C	0501-000294	TRANSISTOR		
	Q16	0501-000303	TRANSISTOR				Q27FL	0501-000294	TRANSISTOR		
	Q17C	0501-000341	TRANSISTOR				Q27FR	0501-000294	TRANSISTOR		
	Q17FL	0501-000341	TRANSISTOR				Q27RL	0501-000294	TRANSISTOR		
	Q17FR	0501-000341	TRANSISTOR				Q27RR	0501-000294	TRANSISTOR		
	Q17RL	0501-000341	TRANSISTOR				Q27W	0501-000294	TRANSISTOR		
	Q17RR	0501-000341	TRANSISTOR				Q28C	0501-000294	TRANSISTOR		
	Q17W	0501-000341	TRANSISTOR				Q28FL	0501-000294	TRANSISTOR		
	Q18C	0501-000341	TRANSISTOR				Q28FR	0501-000294	TRANSISTOR		
	Q18FL	0501-000341	TRANSISTOR				Q28RL	0501-000294	TRANSISTOR		
	Q18FR	0501-000341	TRANSISTOR				Q28RR	0501-000294	TRANSISTOR		
	Q18RL	0501-000341	TRANSISTOR				Q28W	0501-000294	TRANSISTOR		
	Q18RR	0501-000341	TRANSISTOR				Q29C	0502-001048	TRANSISTOR		
	Q18W	0501-000341	TRANSISTOR				Q29FL	0502-001048	TRANSISTOR		
	Q19C	0501-000398	TRANSISTOR				Q29FR	0502-001048	TRANSISTOR		
	Q19FL	0501-000398	TRANSISTOR				Q29RL	0502-001048	TRANSISTOR		
	Q19FR	0501-000398	TRANSISTOR				Q29RR	0502-001048	TRANSISTOR		
	Q19RL	0501-000398	TRANSISTOR				Q29W	0502-001048	TRANSISTOR		
	Q19RR	0501-000398	TRANSISTOR				Q3	0501-000010	TRANSISTOR		
	Q19W	0501-000398	TRANSISTOR				Q30C	0502-001048	TRANSISTOR		
	Q2	0501-000010	TRANSISTOR				Q30FL	0502-001048	TRANSISTOR		
	Q20C	0501-000303	TRANSISTOR				Q30FR	0502-001048	TRANSISTOR		
	Q20FL	0501-000303	TRANSISTOR				Q30RL	0502-001048	TRANSISTOR		
	Q20FR	0501-000303	TRANSISTOR				Q30RR	0502-001048	TRANSISTOR		
	Q20RL	0501-000303	TRANSISTOR				Q30W	0502-001048	TRANSISTOR		
	Q20RR	0501-000303	TRANSISTOR				Q31C	0502-001048	TRANSISTOR		
	Q20W	0501-000303	TRANSISTOR				Q31FL	0502-001048	TRANSISTOR		
	Q21C	0501-000294	TRANSISTOR				Q31FR	0502-001048	TRANSISTOR		

■ Electrical parts list (Main board)

Block No. 01

△	Item	Parts number	Parts name	Remarks	Area	△	Item	Parts number	Parts name	Remarks	Area
	Q31RL	0502-001048	TRANSISTOR				R111	2007-000124	CHIP RESISTOR		
	Q31RR	0502-001048	TRANSISTOR				R112	2007-000090	CHIP RESISTOR		
	Q31W	0502-001048	TRANSISTOR				R113	2007-000097	CHIP RESISTOR		
	Q32C	0502-001210	TRANSISTOR				R114	2007-000075	CHIP RESISTOR		
	Q32FL	0502-001210	TRANSISTOR				R115	2007-000075	CHIP RESISTOR		
	Q32FR	0502-001210	TRANSISTOR				R116	2007-000077	CHIP RESISTOR		
	Q32RL	0502-001210	TRANSISTOR				R117	2007-000084	CHIP RESISTOR		
	Q32RR	0502-001210	TRANSISTOR				R118	2007-000086	CHIP RESISTOR		
	Q32W	0502-001210	TRANSISTOR				R119	2007-000097	CHIP RESISTOR		
	Q33C	0502-001210	TRANSISTOR				R12	2007-000094	CHIP RESISTOR		
	Q33FL	0502-001210	TRANSISTOR				R120	2007-000075	CHIP RESISTOR		
	Q33FR	0502-001210	TRANSISTOR				R121	2007-000075	CHIP RESISTOR		
	Q33RL	0502-001210	TRANSISTOR				R122	2007-000124	CHIP RESISTOR		
	Q33RR	0502-001210	TRANSISTOR				R123	2007-000090	CHIP RESISTOR		
	Q33W	0502-001210	TRANSISTOR				R124	2007-000078	CHIP RESISTOR		
	Q34C	0502-001210	TRANSISTOR				R125	2007-000075	CHIP RESISTOR		
	Q34FL	0502-001210	TRANSISTOR				R126	2007-000075	CHIP RESISTOR		
	Q34FR	0502-001210	TRANSISTOR				R127	2007-000077	CHIP RESISTOR		
	Q34RL	0502-001210	TRANSISTOR				R128	2007-000124	CHIP RESISTOR		
	Q34RR	0502-001210	TRANSISTOR				R129	2007-000090	CHIP RESISTOR		
	Q34W	0502-001210	TRANSISTOR				R13	2007-000102	CHIP RESISTOR		
	Q35C	0501-000398	TRANSISTOR				R130	2007-000078	CHIP RESISTOR		
	Q35FL	0501-000398	TRANSISTOR				R131	2007-000075	CHIP RESISTOR		
	Q35FR	0501-000398	TRANSISTOR				R132	2007-000075	CHIP RESISTOR		
	Q35RL	0501-000398	TRANSISTOR				R134	2007-000075	CHIP RESISTOR		
	Q35RR	0501-000398	TRANSISTOR				R135	2007-000097	CHIP RESISTOR		
	Q35W	0501-000398	TRANSISTOR				R136	2007-000102	CHIP RESISTOR		
	Q36C	0502-001048	TRANSISTOR				R137C	2007-000070	CHIP RESISTOR		
	Q36FL	0502-001048	TRANSISTOR				R137R	2007-000070	CHIP RESISTOR		
	Q36FR	0502-001048	TRANSISTOR				R14	2007-000091	CHIP RESISTOR		
	Q36RL	0502-001048	TRANSISTOR				R141	2003-000708	OMF RESISTOR		
	Q36RR	0502-001048	TRANSISTOR				R142	2007-000090	CHIP RESISTOR		
	Q36W	0502-001048	TRANSISTOR				R143	2007-000090	CHIP RESISTOR		
	Q37	0504-000156	DEGI TRANSISTOR				R144L	2007-000086	CHIP RESISTOR		
	Q38	0504-000156	DEGI TRANSISTOR				R144R	2007-000086	CHIP RESISTOR		
	Q39	0504-000156	DEGI TRANSISTOR				R145L	2007-000091	CHIP RESISTOR		
	Q4	0501-000294	TRANSISTOR				R145R	2007-000091	CHIP RESISTOR		
	Q40	0502-000299	TRANSISTOR				R146	2001-000850	CARBON RESISTOR		
	Q5	0501-000398	TRANSISTOR				R15	2001-000702	CARBON RESISTOR		
	Q6	0501-000610	TRANSISTOR				R16	2007-000081	CHIP RESISTOR		
	Q7	0501-000314	TRANSISTOR				R17	2007-000098	CHIP RESISTOR		
	Q8	0501-000341	TRANSISTOR				R18	2007-000098	CHIP RESISTOR		
	Q9	0501-000010	TRANSISTOR				R19	2007-000134	CHIP RESISTOR		
	RE1	3501-001214	RELAY				R2	2001-000890	CARBON RESISTOR		
	RE2	3501-001214	RELAY				R20	2007-000134	CHIP RESISTOR		
	RE3	3501-001008	RELAY	G2R-1 DC12			R200L	2007-000090	CHIP RESISTOR		
	RE4	3501-001008	RELAY	G2R-1 DC12			R200R	2007-000090	CHIP RESISTOR		
	RE5	3501-001197	RELAY	OSA-SS-212DM3			R201L	2007-000134	CHIP RESISTOR		
	RE6	3501-001197	RELAY	OSA-SS-212DM3			R201R	2007-000134	CHIP RESISTOR		
	RE7	3501-001197	RELAY	OSA-SS-212DM3			R21	2007-000094	CHIP RESISTOR		
	R10	2007-000102	CHIP RESISTOR				R22	2007-000094	CHIP RESISTOR		
	R100	2007-000124	CHIP RESISTOR				R25	2003-000767	OMF RESISTOR		
	R101	2007-000090	CHIP RESISTOR				R3	2007-000124	CHIP RESISTOR		
	R102	2007-000078	CHIP RESISTOR				R30	2003-000765	OMF RESISTOR		
	R103	2007-000075	CHIP RESISTOR				R31	2001-000110	CARBON RESISTOR		
	R104	2007-000075	CHIP RESISTOR				R32C	2007-000124	CHIP RESISTOR		
	R105	2007-000077	CHIP RESISTOR				R32FL	2007-000124	CHIP RESISTOR		
	R106	2007-000124	CHIP RESISTOR				R32FR	2007-000124	CHIP RESISTOR		
	R107	2007-000090	CHIP RESISTOR				R32RL	2007-000124	CHIP RESISTOR		
	R108	2007-000097	CHIP RESISTOR				R32RR	2007-000124	CHIP RESISTOR		
	R109	2007-000075	CHIP RESISTOR				R32W	2007-000124	CHIP RESISTOR		
	R11	2001-000864	CARBON RESISTOR				R33C	2007-000653	CHIP RESISTOR		
	R110	2007-000075	CHIP RESISTOR				R33FL	2007-000653	CHIP RESISTOR		

■ Electrical parts list (Main board)

Block No. 01

△	Item	Parts number	Parts name	Remarks	Area
	R33FR	2007-000653	CHIP RESISTOR		
	R33RL	2007-000653	CHIP RESISTOR		
	R33RR	2007-000653	CHIP RESISTOR		
	R33W	2007-000653	CHIP RESISTOR		
	R34C	2007-000402	CHIP RESISTOR		
	R34FL	2007-000402	CHIP RESISTOR		
	R34FR	2007-000402	CHIP RESISTOR		
	R34RL	2007-000402	CHIP RESISTOR		
	R34RR	2007-000402	CHIP RESISTOR		
	R34W	2007-000402	CHIP RESISTOR		
	R35C	2007-000124	CHIP RESISTOR		
	R35FL	2007-000124	CHIP RESISTOR		
	R35FR	2007-000124	CHIP RESISTOR		
	R35RL	2007-000124	CHIP RESISTOR		
	R35RR	2007-000124	CHIP RESISTOR		
	R35W	2007-000124	CHIP RESISTOR		
	R36C	2007-000653	CHIP RESISTOR		
	R36FL	2007-000653	CHIP RESISTOR		
	R36FR	2007-000653	CHIP RESISTOR		
	R36RL	2007-000653	CHIP RESISTOR		
	R36RR	2007-000653	CHIP RESISTOR		
	R36W	2007-000653	CHIP RESISTOR		
	R37C	2007-000402	CHIP RESISTOR		
	R37FL	2007-000402	CHIP RESISTOR		
	R37FR	2007-000402	CHIP RESISTOR		
	R37RL	2007-000402	CHIP RESISTOR		
	R37RR	2007-000402	CHIP RESISTOR		
	R37W	2007-000402	CHIP RESISTOR		
	R38	2003-000710	OMF RESISTOR		
	R38C	2007-000098	CHIP RESISTOR		
	R38FL	2007-000098	CHIP RESISTOR		
	R38FR	2007-000098	CHIP RESISTOR		
	R38RL	2007-000098	CHIP RESISTOR		
	R38RR	2007-000098	CHIP RESISTOR		
	R38W	2007-000098	CHIP RESISTOR		
	R39	2003-000578	OMF RESISTOR		
	R39FL	2007-000097	CHIP RESISTOR		
	R39FR	2007-000097	CHIP RESISTOR		
	R4	2001-000050	CARBON RESISTOR		
	R40	2007-000094	CHIP RESISTOR		
	R401	2007-000102	CHIP RESISTOR		
	R41	2007-000084	CHIP RESISTOR		
	R41FL	2203-001554	CHIP CAPACITOR		
	R41FR	2203-001554	CHIP CAPACITOR		
	R41RL	2203-001554	CHIP CAPACITOR		
	R41RR	2203-001554	CHIP CAPACITOR		
	R42	2007-000094	CHIP RESISTOR		
	R43	2007-000134	CHIP RESISTOR		
	R44	2003-000674	OMF RESISTOR		
	R45	2003-000807	OMF RESISTOR		
	R47	2007-000084	CHIP RESISTOR		
	R48	2007-000097	CHIP RESISTOR		
	R49	2007-000097	CHIP RESISTOR		
	R5	2001-000660	CARBON RESISTOR		
	R50	2007-000090	CHIP RESISTOR		
	R500	2007-000468	CHIP RESISTOR		
	R51	2007-000090	CHIP RESISTOR		
	R52	2007-000076	CHIP RESISTOR		
	R53	2007-000116	CHIP RESISTOR		
	R54	2007-000090	CHIP RESISTOR		
	R55	2007-000094	CHIP RESISTOR		
	R56	2007-000090	CHIP RESISTOR		
	R57	2007-000094	CHIP RESISTOR		

△	Item	Parts number	Parts name	Remarks	Area
	R58	2007-000090	CHIP RESISTOR		
	R59	2007-000094	CHIP RESISTOR		
	R6	2001-000786	RESISTOR		
	R60	2007-000120	CHIP RESISTOR		
	R61	2007-000134	CHIP RESISTOR		
	R62	2007-000094	CHIP RESISTOR		
	R63	2007-000090	CHIP RESISTOR		
	R64	2007-000091	CHIP RESISTOR		
	R65	2007-000090	CHIP RESISTOR		
	R66	2007-000084	CHIP RESISTOR		
	R67	2007-000094	CHIP RESISTOR		
	R68	2007-000084	CHIP RESISTOR		
	R69	2007-000134	CHIP RESISTOR		
	R7	2001-001050	CARBON RESISTOR		
	R70	2007-000134	CHIP RESISTOR		
	R71	2007-000090	CHIP RESISTOR		
	R72	2007-001179	CHIP RESISTOR		
	R73	2007-000125	CHIP RESISTOR		
	R74	2007-000090	CHIP RESISTOR		
	R75C	2007-000097	CHIP RESISTOR		
	R75FL	2007-000097	CHIP RESISTOR		
	R75FR	2007-000097	CHIP RESISTOR		
	R75RL	2007-000097	CHIP RESISTOR		
	R75RR	2007-000097	CHIP RESISTOR		
	R75W	2007-000097	CHIP RESISTOR		
	R76C	2007-000078	CHIP RESISTOR		
	R76FL	2007-000078	CHIP RESISTOR		
	R76FR	2007-000078	CHIP RESISTOR		
	R76RL	2007-000078	CHIP RESISTOR		
	R76RR	2007-000078	CHIP RESISTOR		
	R76W	2007-000124	CHIP RESISTOR		
	R77C	2007-000078	CHIP RESISTOR		
	R77FL	2007-000078	CHIP RESISTOR		
	R77FR	2007-000078	CHIP RESISTOR		
	R77RL	2007-000078	CHIP RESISTOR		
	R77RR	2007-000078	CHIP RESISTOR		
	R77W	2007-000124	CHIP RESISTOR		
	R78C	2007-001039	CHIP RESISTOR		
	R78FL	2007-001039	CHIP RESISTOR		
	R78FR	2007-001039	CHIP RESISTOR		
	R78RL	2007-001039	CHIP RESISTOR		
	R78RR	2007-001039	CHIP RESISTOR		
	R78W	2007-001039	CHIP RESISTOR		
	R79C	2007-000079	CHIP RESISTOR		
	R79FL	2007-000079	CHIP RESISTOR		
	R79FR	2007-000079	CHIP RESISTOR		
	R79RL	2007-000079	CHIP RESISTOR		
	R79RR	2007-000079	CHIP RESISTOR		
	R79W	2007-000079	CHIP RESISTOR		
	R8	2001-000773	CARBON RESISTOR		
	R80C	2007-000098	CHIP RESISTOR		
	R80FL	2007-000098	CHIP RESISTOR		
	R80FR	2007-000098	CHIP RESISTOR		
	R80RL	2007-000098	CHIP RESISTOR		
	R80RR	2007-000098	CHIP RESISTOR		
	R80W	2007-000098	CHIP RESISTOR		
	R81C	2007-000084	CHIP RESISTOR		
	R81FL	2007-000084	CHIP RESISTOR		
	R81FR	2007-000084	CHIP RESISTOR		
	R81RL	2007-000084	CHIP RESISTOR		
	R81RR	2007-000084	CHIP RESISTOR		
	R81W	2007-000090	CHIP RESISTOR		
	R82C	2007-000082	CHIP RESISTOR		

■ Electrical parts list (Main board)

Block No. 01

△	Item	Parts number	Parts name	Remarks	Area	△	Item	Parts number	Parts name	Remarks	Area
	R82FL	2007-000082	CHIP RESISTOR				R92RL	2007-000076	CHIP RESISTOR		
	R82FR	2007-000082	CHIP RESISTOR				R92RR	2007-000076	CHIP RESISTOR		
	R82RL	2007-000082	CHIP RESISTOR				R92W	2007-000076	CHIP RESISTOR		
	R82RR	2007-000082	CHIP RESISTOR				R93C	2007-000076	CHIP RESISTOR		
	R82W	2007-000082	CHIP RESISTOR				R93FL	2007-000076	CHIP RESISTOR		
	R83C	2007-000082	CHIP RESISTOR				R93FR	2007-000076	CHIP RESISTOR		
	R83FL	2007-000082	CHIP RESISTOR				R93RL	2007-000076	CHIP RESISTOR		
	R83FR	2007-000082	CHIP RESISTOR				R93RR	2007-000076	CHIP RESISTOR		
	R83RL	2007-000082	CHIP RESISTOR				R93W	2007-000076	CHIP RESISTOR		
	R83RR	2007-000082	CHIP RESISTOR				R94C	2007-000076	CHIP RESISTOR		
	R83W	2007-000082	CHIP RESISTOR				R94FL	2007-000076	CHIP RESISTOR		
	R84C	2007-000090	CHIP RESISTOR				R94FR	2007-000076	CHIP RESISTOR		
	R84FL	2007-000090	CHIP RESISTOR				R94RL	2007-000076	CHIP RESISTOR		
	R84FR	2007-000090	CHIP RESISTOR				R94RR	2007-000076	CHIP RESISTOR		
	R84RL	2007-000090	CHIP RESISTOR				R94W	2007-000076	CHIP RESISTOR		
	R84RR	2007-000090	CHIP RESISTOR				R95C	2007-000076	CHIP RESISTOR		
	R84W	2007-000129	CHIP RESISTOR				R95FL	2007-000076	CHIP RESISTOR		
	R85C	2007-000075	CHIP RESISTOR				R95FR	2007-000076	CHIP RESISTOR		
	R85FL	2007-000075	CHIP RESISTOR				R95RL	2007-000076	CHIP RESISTOR		
	R85FR	2007-000075	CHIP RESISTOR				R95RR	2007-000076	CHIP RESISTOR		
	R85RL	2007-000075	CHIP RESISTOR				R95W	2007-000076	CHIP RESISTOR		
	R85RR	2007-000075	CHIP RESISTOR				R96C	2007-000076	CHIP RESISTOR		
	R85W	2007-000075	CHIP RESISTOR				R96FL	2007-000076	CHIP RESISTOR		
	R86C	2007-000077	CHIP RESISTOR				R96FR	2007-000076	CHIP RESISTOR		
	R86FL	2007-000077	CHIP RESISTOR				R96RL	2007-000076	CHIP RESISTOR		
	R86FR	2007-000077	CHIP RESISTOR				R96RR	2007-000076	CHIP RESISTOR		
	R86RL	2007-000077	CHIP RESISTOR				R96W	2007-000076	CHIP RESISTOR		
	R86RR	2007-000077	CHIP RESISTOR				R97C	2007-008317	CHIP RESISTOR		
	R86W	2007-000077	CHIP RESISTOR				R97FL	2007-008317	CHIP RESISTOR		
	R87C	2007-000086	CHIP RESISTOR				R97FR	2007-008317	CHIP RESISTOR		
	R87FL	2007-000086	CHIP RESISTOR				R97RL	2007-008317	CHIP RESISTOR		
	R87FR	2007-000086	CHIP RESISTOR				R97RR	2007-008317	CHIP RESISTOR		
	R87RL	2007-000086	CHIP RESISTOR				R97W	2009-000018	OMF RESISTOR		
	R87RR	2007-000086	CHIP RESISTOR				R98C	2007-008317	CHIP RESISTOR		
	R87W	2007-000086	CHIP RESISTOR				R98FL	2007-008317	CHIP RESISTOR		
	R88C	2007-000124	CHIP RESISTOR				R98FR	2007-008317	CHIP RESISTOR		
	R88FL	2007-000124	CHIP RESISTOR				R98RL	2007-008317	CHIP RESISTOR		
	R88FR	2007-000124	CHIP RESISTOR				R98RR	2007-008317	CHIP RESISTOR		
	R88RL	2007-000124	CHIP RESISTOR				R98W	2009-000018	OMF RESISTOR		
	R88RR	2007-000124	CHIP RESISTOR				R99C	2007-000310	CHIP RESISTOR		
	R88W	2007-000081	CHIP RESISTOR				R99FL	2007-000310	CHIP RESISTOR		
	R89C	2007-000077	CHIP RESISTOR				R99FR	2007-000310	CHIP RESISTOR		
	R89FL	2007-000077	CHIP RESISTOR				R99RL	2007-000310	CHIP RESISTOR		
	R89FR	2007-000077	CHIP RESISTOR				R99RR	2007-000310	CHIP RESISTOR		
	R89RL	2007-000077	CHIP RESISTOR				R99W	2007-000310	CHIP RESISTOR		
	R89RR	2007-000077	CHIP RESISTOR				VS1	3408-000177	SLIDE SWITCH	250V	
	R89W	2007-000077	CHIP RESISTOR				ZD1	0403-000354	ZENER DIODE		
	R9	2001-000591	CARBON RESISTOR				ZD11	0403-000382	ZENER DIODE		
	R90C	2007-000075	CHIP RESISTOR				ZD12	0403-000382	ZENER DIODE		
	R90FL	2007-000075	CHIP RESISTOR				ZD13	0403-000004	ZENER DIODE		
	R90FR	2007-000075	CHIP RESISTOR				ZD2	0403-000352	ZENER DIODE		
	R90RL	2007-000075	CHIP RESISTOR				ZD201	0403-001376	ZENER DIODE		
	R90RR	2007-000075	CHIP RESISTOR				ZD202	0403-001376	ZENER DIODE		
	R90W	2007-000075	CHIP RESISTOR				ZD203	0403-001376	ZENER DIODE		
	R91C	2007-000076	CHIP RESISTOR				ZD204	0403-001376	ZENER DIODE		
	R91FL	2007-000076	CHIP RESISTOR				ZD205	0401-001090	DIODE		
	R91FR	2007-000076	CHIP RESISTOR				ZD206	0403-001376	ZENER DIODE		
	R91RL	2007-000076	CHIP RESISTOR				ZD207	0403-001376	ZENER DIODE		
	R91RR	2007-000076	CHIP RESISTOR				ZD208	0403-001376	ZENER DIODE		
	R91W	2007-000076	CHIP RESISTOR				ZD209	0403-001376	ZENER DIODE		
	R92C	2007-000076	CHIP RESISTOR				ZD210	0403-001376	ZENER DIODE		
	R92FL	2007-000076	CHIP RESISTOR				ZD211	0403-001376	ZENER DIODE		
	R92FR	2007-000076	CHIP RESISTOR				ZD212	0403-001376	ZENER DIODE		

■ Electrical parts list (Main board)

Block No. 01

△	Item	Parts number	Parts name	Remarks	Area
	ZD3	0403-000004	ZENER DIODE		
	ZD5C	0403-001079	ZENER DIODE		
	ZD5FL	0403-001079	ZENER DIODE		
	ZD5FR	0403-001079	ZENER DIODE		
	ZD5RL	0403-001079	ZENER DIODE		
	ZD5RR	0403-001079	ZENER DIODE		
	ZD5W	0403-001079	ZENER DIODE		
	ZD6C	0403-001079	ZENER DIODE		
	ZD6FL	0403-001079	ZENER DIODE		
	ZD6FR	0403-001079	ZENER DIODE		
	ZD6RL	0403-001079	ZENER DIODE		
	ZD6RR	0403-001079	ZENER DIODE		
	ZD6W	0403-001079	ZENER DIODE		

■ Electrical parts list (DSP board)

Block No. 02

△	Item	Parts number	Parts name	Remarks	Area	△	Item	Parts number	Parts name	Remarks	Area
	CC11	2401-000407	E.CAPACITOR				DC32	2203-005005	CHIP CAPACITOR		
	CC12	2401-000650	E.CAPACITOR				DC33	2401-000588	E.CAPACITOR		
	CC13	2401-001238	E.CAPACITOR				DC34	2203-005005	CHIP CAPACITOR		
	CC14	2401-001238	E.CAPACITOR				DC36	2203-005005	CHIP CAPACITOR		
	CC15	2401-000407	E.CAPACITOR				DC37	2203-005005	CHIP CAPACITOR		
	CC16	2401-001502	E.CAPACITOR				DC38	2203-000257	CHIP CAPACITOR		
	CC17	2401-001502	E.CAPACITOR				DC39	2203-000491	CHIP CAPACITOR		
	CC18	2203-001554	CHIP CAPACITOR				DC40	2203-005005	CHIP CAPACITOR		
	CC19	2203-001554	CHIP CAPACITOR				DC41	2203-005005	CHIP CAPACITOR		
	CC20	2203-000440	CHIP CAPACITOR				DC42	2401-001502	E.CAPACITOR		
	CC21	2203-000783	CHIP CAPACITOR				DC43	2203-000257	CHIP CAPACITOR		
	CC22	2203-000783	CHIP CAPACITOR				DC44	2203-000257	CHIP CAPACITOR		
	CC23	2203-000783	CHIP CAPACITOR				DC45	2401-001502	E.CAPACITOR		
	CC24	2203-000531	CHIP CAPACITOR				DC46	2203-005005	CHIP CAPACITOR		
	CC27	2203-000531	CHIP CAPACITOR				DC48	2203-005005	CHIP CAPACITOR		
	CIC11	1201-000163	IC				DC49	2203-005005	CHIP CAPACITOR		
	CIC12	1204-001465	IC				DC51	2401-000588	E.CAPACITOR		
	CIC13	1201-000163	IC				DC71	2401-000588	E.CAPACITOR		
	CR11	2007-000082	CHIP RESISTOR				DC72	2203-005005	CHIP CAPACITOR		
	CR12	2007-000082	CHIP RESISTOR				DC73	2401-000588	E.CAPACITOR		
	CR13	2007-000082	CHIP RESISTOR				DC74	2203-005005	CHIP CAPACITOR		
	CR14	2007-000082	CHIP RESISTOR				DC86	2203-005005	CHIP CAPACITOR		
	CR15	2007-000086	CHIP RESISTOR				DC87	2203-005005	CHIP CAPACITOR		
	CR16	2007-000078	CHIP RESISTOR				DC88	2203-005005	CHIP CAPACITOR		
	CR17	2007-000097	CHIP RESISTOR				DC89	2203-000257	CHIP CAPACITOR		
	CR18	2007-000084	CHIP RESISTOR				DC91	2401-000588	E.CAPACITOR		
	CR19	2007-000120	CHIP RESISTOR				DD11	2007-000070	CHIP RESISTOR		
	CR21	2007-007361	CHIP RESISTOR				DIC11	1204-001841	IC		
	CR30	2007-000074	CHIP RESISTOR				DIC12	0801-002564	IC		
	CR31	2007-000074	CHIP RESISTOR				DIC13	0802-001007	IC		
	CZD11	0403-001409	ZENER DIODE				DIC14	1001-001170	IC	CS8415A-CZ	
	DB13	3301-000353	BEAD	BLM21A121			DIC15	1204-001842	IC		
	DB14	3301-000353	BEAD	BLM21A121			DIC16	0801-002639	IC		
	DB16	3301-000353	BEAD	BLM21A121			DIC17	0801-002639	IC		
	DB18	3301-000353	BEAD	BLM21A121			DIC21	1103-001181	IC		
	DB19	3301-000353	BEAD	BLM21A121			DQ13	0501-000314	TRANSISTOR		
	DB20	2007-000077	CHIP RESISTOR				DR12	2007-000113	CHIP RESISTOR		
	DB22	3301-000353	BEAD	BLM21A121			DR13	2007-000113	CHIP RESISTOR		
	DB23	3301-000353	BEAD	BLM21A121			DR14	2007-000113	CHIP RESISTOR		
	DB24	3301-000353	BEAD	BLM21A121			DR15	2007-000113	CHIP RESISTOR		
	DB25	3301-000353	BEAD	BLM21A121			DR16	2007-000084	CHIP RESISTOR		
	DB26	3301-000353	BEAD	BLM21A121			DR17	2007-000084	CHIP RESISTOR		
	DB27	3301-000353	BEAD	BLM21A121			DR18	2007-000090	CHIP RESISTOR		
	DB28	3301-000353	BEAD	BLM21A121			DR19	2007-000134	CHIP RESISTOR		
	DB29	3301-000353	BEAD	BLM21A121			DR21	2007-000084	CHIP RESISTOR		
	DB30	3301-000353	BEAD	BLM21A121			DR22	2007-000090	CHIP RESISTOR		
	DC133	2203-005005	CHIP CAPACITOR				DR23	2007-000090	CHIP RESISTOR		
	DC14	2203-005005	CHIP CAPACITOR				DR24	2007-000090	CHIP RESISTOR		
	DC17	2203-005005	CHIP CAPACITOR				DR25	2007-000090	CHIP RESISTOR		
	DC18	2203-005005	CHIP CAPACITOR				DR26	2007-000090	CHIP RESISTOR		
	DC19	2203-005005	CHIP CAPACITOR				DR27	2007-000090	CHIP RESISTOR		
	DC20	2401-000588	E.CAPACITOR				DR28	2007-000090	CHIP RESISTOR		
	DC21	2401-000588	E.CAPACITOR				DR29	2007-000090	CHIP RESISTOR		
	DC22	2203-005005	CHIP CAPACITOR				DR30	2007-000090	CHIP RESISTOR		
	DC23	2203-005005	CHIP CAPACITOR				DR32	2007-000084	CHIP RESISTOR		
	DC24	2401-000243	E.CAPACITOR				DR33	2007-000113	CHIP RESISTOR		
	DC25	2401-000650	E.CAPACITOR				DR34	2007-000082	CHIP RESISTOR		
	DC26	2203-005005	CHIP CAPACITOR				DR36	2007-000090	CHIP RESISTOR		
	DC27	2401-000588	E.CAPACITOR				DR37	2007-000074	CHIP RESISTOR		
	DC28	2401-001502	E.CAPACITOR				DR38	2007-000097	CHIP RESISTOR		
	DC29	2203-000257	CHIP CAPACITOR				DR39	2007-000124	CHIP RESISTOR		
	DC30	2203-001656	CHIP CAPACITOR				DR40	2007-000309	CHIP RESISTOR		
	DC31	2401-000588	E.CAPACITOR				DR41	2007-000074	CHIP RESISTOR		

■ Electrical parts list (DSP board)

Block No. 02

△	Item	Parts number	Parts name	Remarks	Area	△	Item	Parts number	Parts name	Remarks	Area
	DR42	2007-000113	CHIP RESISTOR				FC56	2203-001034	CHIP CAPACITOR		
	DR43	2007-000078	CHIP RESISTOR				FC57	2203-001034	CHIP CAPACITOR		
	DR44	2007-000078	CHIP RESISTOR				FC58L	2203-000531	CHIP CAPACITOR		
	DR45	2007-000078	CHIP RESISTOR				FC58R	2203-000531	CHIP CAPACITOR		
	DR46	2007-000078	CHIP RESISTOR				FC6	2401-000407	E.CAPACITOR		
	DR47	2007-000078	CHIP RESISTOR				FC60L	2203-000531	CHIP CAPACITOR		
	DR501	2007-000090	CHIP RESISTOR				FC60R	2203-000531	CHIP CAPACITOR		
	DR51	2007-000078	CHIP RESISTOR				FC7	2401-000407	E.CAPACITOR		
	DR52	2007-000074	CHIP RESISTOR				FC71	2401-001238	E.CAPACITOR		
	DR61	2007-001167	CHIP RESISTOR				FC72	2401-001238	E.CAPACITOR		
	DR62	2007-002425	CHIP RESISTOR				FC73	2401-001238	E.CAPACITOR		
	DR71	2007-000074	CHIP RESISTOR				FC73L	2203-000783	CHIP CAPACITOR		
	DW10	3710-001422	CONNECTOR				FC73R	2203-000783	CHIP CAPACITOR		
	DW11	3711-000426	CONNECTOR				FC74	2401-001238	E.CAPACITOR		
	DW12	3711-000426	CONNECTOR				FC8	2401-000407	E.CAPACITOR		
	DW13	3710-001422	CONNECTOR				FC9	2401-000407	E.CAPACITOR		
	DW14	3710-001422	CONNECTOR				FC99	2401-000588	E.CAPACITOR		
	DW15	3710-001421	CONNECTOR				FIC1	1203-000276	IC		
	DW20	3708-000178	CONNECTOR				FIC11	1201-000163	IC		
	DW23	3710-001422	CONNECTOR				FIC12	1204-001465	IC		
	DW31	3710-001734	CONNECTOR				FIC2	1201-000163	IC		
	DW32	3710-001734	CONNECTOR				FIC4	1201-000163	IC		
	DX11	2804-001446	OSCILLATOR	12.288MHZ			FIC5	1201-000163	IC		
	D134	2401-000407	E.CAPACITOR				FIC6	1201-000163	IC		
	FC1	2401-000213	E.CAPACITOR				FR10	2007-000101	CHIP RESISTOR		
	FC10	2401-000407	E.CAPACITOR				FR11	2007-000075	CHIP RESISTOR		
	FC11	2401-000407	E.CAPACITOR				FR15L	2007-000086	CHIP RESISTOR		
	FC12	2401-000407	E.CAPACITOR				FR15R	2007-000086	CHIP RESISTOR		
	FC13	2401-000407	E.CAPACITOR				FR17L	2007-000082	CHIP RESISTOR		
	FC15	2401-001502	E.CAPACITOR				FR17R	2007-000082	CHIP RESISTOR		
	FC16	2401-000407	E.CAPACITOR				FR18L	2007-000082	CHIP RESISTOR		
	FC17L	2401-001238	E.CAPACITOR				FR18R	2007-000082	CHIP RESISTOR		
	FC17R	2401-001238	E.CAPACITOR				FR19L	2007-000082	CHIP RESISTOR		
	FC19L	2401-000650	E.CAPACITOR				FR19R	2007-000082	CHIP RESISTOR		
	FC19R	2401-000650	E.CAPACITOR				FR2	2007-007147	CHIP RESISTOR		
	FC2	2401-000213	E.CAPACITOR				FR20L	2007-000086	CHIP RESISTOR		
	FC20L	2401-000650	E.CAPACITOR				FR20R	2007-000086	CHIP RESISTOR		
	FC20R	2401-000650	E.CAPACITOR				FR21L	2007-000082	CHIP RESISTOR		
	FC23	2401-000650	E.CAPACITOR				FR21R	2007-000082	CHIP RESISTOR		
	FC24	2401-000650	E.CAPACITOR				FR22L	2007-000402	CHIP RESISTOR		
	FC25	2401-000650	E.CAPACITOR				FR22R	2007-000402	CHIP RESISTOR		
	FC26	2401-000650	E.CAPACITOR				FR23L	2007-000402	CHIP RESISTOR		
	FC27	2401-001502	E.CAPACITOR				FR23R	2007-000402	CHIP RESISTOR		
	FC28	2401-001502	E.CAPACITOR				FR24L	2007-000090	CHIP RESISTOR		
	FC3	2401-001324	E.CAPACITOR				FR24R	2007-000090	CHIP RESISTOR		
	FC41	2203-000888	CHIP CAPACITOR				FR25L	2007-000090	CHIP RESISTOR		
	FC42	2203-000604	CHIP CAPACITOR				FR25R	2007-000090	CHIP RESISTOR		
	FC47L	2203-001554	CHIP CAPACITOR				FR26L	2007-000090	CHIP RESISTOR		
	FC47R	2203-001554	CHIP CAPACITOR				FR26R	2007-000090	CHIP RESISTOR		
	FC48L	2203-001554	CHIP CAPACITOR				FR28L	2007-000129	CHIP RESISTOR		
	FC48R	2203-001554	CHIP CAPACITOR				FR28R	2007-000129	CHIP RESISTOR		
	FC49L	2203-000783	CHIP CAPACITOR				FR31	2007-000074	CHIP RESISTOR		
	FC49R	2203-000783	CHIP CAPACITOR				FR32	2007-000074	CHIP RESISTOR		
	FC50L	2203-000440	CHIP CAPACITOR				FR34L	2007-000102	CHIP RESISTOR		
	FC50R	2203-000440	CHIP CAPACITOR				FR34R	2007-000102	CHIP RESISTOR		
	FC51L	2203-000491	CHIP CAPACITOR				FR35L	2007-000078	CHIP RESISTOR		
	FC51R	2203-000491	CHIP CAPACITOR				FR35R	2007-000078	CHIP RESISTOR		
	FC52L	2203-000236	CHIP CAPACITOR				FR36L	2007-000070	CHIP RESISTOR		
	FC52R	2203-000236	CHIP CAPACITOR				FR36R	2007-000070	CHIP RESISTOR		
	FC53L	2203-000236	CHIP CAPACITOR				FR4	2007-000101	CHIP RESISTOR		
	FC53R	2203-000236	CHIP CAPACITOR				FR5	2007-000098	CHIP RESISTOR		
	FC55L	2203-000783	CHIP CAPACITOR				FR51L	2007-000078	CHIP RESISTOR		
	FC55R	2203-000783	CHIP CAPACITOR				FR51R	2007-000078	CHIP RESISTOR		

■ Electrical parts list (DSP board)

Block No. 02

△	Item	Parts number	Parts name	Remarks	Area	△	Item	Parts number	Parts name	Remarks	Area
	FR52L	2007-000097	CHIP RESISTOR				SC11	2401-000407	E.CAPACITOR		
	FR52R	2007-000097	CHIP RESISTOR				SC12	2401-001238	E.CAPACITOR		
	FR53L	2007-000084	CHIP RESISTOR				SC13	2401-001238	E.CAPACITOR		
	FR53R	2007-000084	CHIP RESISTOR				SC14	2401-001238	E.CAPACITOR		
	FR54L	2007-000123	CHIP RESISTOR				SC18	2203-005221	CHIP CAPACITOR		
	FR54R	2007-000123	CHIP RESISTOR				SC19	2203-001389	CHIP CAPACITOR		
	FR6	2007-000098	CHIP RESISTOR				SC20	2203-001211	CHIP CAPACITOR		
	FR7	2007-000129	CHIP RESISTOR				SC22	2203-000783	CHIP CAPACITOR		
	FZD1	0403-001387	ZENER DIODE	UDZS5.1B			SC23	2203-000604	CHIP CAPACITOR		
	NC11	2401-001502	E.CAPACITOR				SR11	2007-000094	CHIP RESISTOR		
	NW11	3711-000820	CONNECTOR				SR12	2007-000094	CHIP RESISTOR		
	ODR11	2007-000070	CHIP RESISTOR				SR13	2007-000094	CHIP RESISTOR		
	ODR20	2007-000090	CHIP RESISTOR				SR14	2007-000082	CHIP RESISTOR		
	ODR31	2007-000090	CHIP RESISTOR				SR15	2007-000086	CHIP RESISTOR		
	RC11	2401-000407	E.CAPACITOR				SR16	2007-000075	CHIP RESISTOR		
	RC12	2401-000407	E.CAPACITOR				SR17	2007-000097	CHIP RESISTOR		
	RC13	2401-000650	E.CAPACITOR				SR18	2007-000084	CHIP RESISTOR		
	RC14	2401-000650	E.CAPACITOR				SR19	2007-000402	CHIP RESISTOR		
	RC15	2401-001238	E.CAPACITOR				UC1	2409-000123	C-EDL		
	RC16	2401-001238	E.CAPACITOR				UC101	2401-000243	E.CAPACITOR		
	RC17	2401-000407	E.CAPACITOR				UC2	2401-001238	E.CAPACITOR		
	RC18	2401-001502	E.CAPACITOR				UC3	2401-000752	E.CAPACITOR		
	RC19	2401-001238	E.CAPACITOR				UC4	2401-000243	E.CAPACITOR		
	RC20	2401-001238	E.CAPACITOR				UC46	2203-000236	CHIP CAPACITOR		
	RC31L	2203-001554	CHIP CAPACITOR				UC5	2203-000062	CHIP CAPACITOR		
	RC31R	2203-001554	CHIP CAPACITOR				UC6	2203-005005	CHIP CAPACITOR		
	RC32L	2203-000440	CHIP CAPACITOR				UC82	2203-000604	CHIP CAPACITOR		
	RC32R	2203-000440	CHIP CAPACITOR				UD10	0402-000309	DIODE		
	RC33L	2203-000783	CHIP CAPACITOR				UD4	0401-001110	DIODE		
	RC33R	2203-000783	CHIP CAPACITOR				UD5	0401-001110	DIODE		
	RC34L	2203-000783	CHIP CAPACITOR				UD6	0402-000309	DIODE		
	RC34R	2203-000783	CHIP CAPACITOR				UD7	0401-001110	DIODE		
	RC35L	2203-000783	CHIP CAPACITOR				UD8	0401-001110	DIODE		
	RC35R	2203-000783	CHIP CAPACITOR				UD9	0401-001110	DIODE		
	RC36L	2203-000531	CHIP CAPACITOR				UIC1	AH11-00049A	IC	HT-DL100 MASK	
	RC36R	2203-000531	CHIP CAPACITOR				UQ3	0501-000398	TRANSISTOR		
	RC39L	2203-000531	CHIP CAPACITOR				UR1	2007-000074	CHIP RESISTOR		
	RC39R	2203-000531	CHIP CAPACITOR				UR101	2007-000090	CHIP RESISTOR		
	RC51L	2203-001554	CHIP CAPACITOR				UR102	2007-000090	CHIP RESISTOR		
	RC51R	2203-001554	CHIP CAPACITOR				UR11	2007-000074	CHIP RESISTOR		
	RIC11	1201-000163	IC				UR13	2007-000074	CHIP RESISTOR		
	RIC12	1204-001465	IC				UR14	2007-000074	CHIP RESISTOR		
	RIC13	1201-000163	IC				UR15	2007-000074	CHIP RESISTOR		
	RR11L	2007-000082	CHIP RESISTOR				UR16	2007-000082	CHIP RESISTOR		
	RR11R	2007-000082	CHIP RESISTOR				UR17	2007-000082	CHIP RESISTOR		
	RR12L	2007-000082	CHIP RESISTOR				UR18	2007-000074	CHIP RESISTOR		
	RR12R	2007-000082	CHIP RESISTOR				UR19	2007-000074	CHIP RESISTOR		
	RR13L	2007-000082	CHIP RESISTOR				UR2	2007-000074	CHIP RESISTOR		
	RR13R	2007-000082	CHIP RESISTOR				UR21	2007-000090	CHIP RESISTOR		
	RR14L	2007-000082	CHIP RESISTOR				UR22	2007-000090	CHIP RESISTOR		
	RR14R	2007-000082	CHIP RESISTOR				UR23	2007-000090	CHIP RESISTOR		
	RR16L	2007-000078	CHIP RESISTOR				UR24	2007-000090	CHIP RESISTOR		
	RR16R	2007-000078	CHIP RESISTOR				UR28	2007-000074	CHIP RESISTOR		
	RR17L	2007-000097	CHIP RESISTOR				UR29	2007-000090	CHIP RESISTOR		
	RR17R	2007-000097	CHIP RESISTOR				UR3	2007-000074	CHIP RESISTOR		
	RR18L	2007-000084	CHIP RESISTOR				UR30	2007-000090	CHIP RESISTOR		
	RR18R	2007-000084	CHIP RESISTOR				UR31	2007-000090	CHIP RESISTOR		
	RR19L	2007-000120	CHIP RESISTOR				UR32	2007-000074	CHIP RESISTOR		
	RR19R	2007-000120	CHIP RESISTOR				UR33	2007-000090	CHIP RESISTOR		
	RR20	2007-000074	CHIP RESISTOR				UR34	2007-000074	CHIP RESISTOR		
	RR21	2007-000074	CHIP RESISTOR				UR35	2007-000074	CHIP RESISTOR		
	RR25L	2007-000078	CHIP RESISTOR				UR36	2007-000074	CHIP RESISTOR		
	RR25R	2007-000078	CHIP RESISTOR				UR37	2007-000074	CHIP RESISTOR		

■ Electrical parts list (DSP board)

Block No. 02

△	Item	Parts number	Parts name	Remarks	Area
	UR38	2007-000098	CHIP RESISTOR		
	UR39	2007-000074	CHIP RESISTOR		
	UR4	2007-000078	CHIP RESISTOR		
	UR40	2007-000074	CHIP RESISTOR		
	UR41	2007-000074	CHIP RESISTOR		
	UR42	2007-000074	CHIP RESISTOR		
	UR43	2007-000074	CHIP RESISTOR		
	UR44	2007-000090	CHIP RESISTOR		
	UR45	2007-000074	CHIP RESISTOR		
	UR46	2007-000074	CHIP RESISTOR		
	UR47	2007-000090	CHIP RESISTOR		
	UR48	2007-000074	CHIP RESISTOR		
	UR49	2007-000090	CHIP RESISTOR		
	UR5	2007-000078	CHIP RESISTOR		
	UR50	2007-000090	CHIP RESISTOR		
	UR51	2007-000090	CHIP RESISTOR		
	UR52	2007-000090	CHIP RESISTOR		
	UR53	2007-000074	CHIP RESISTOR		
	UR54	2007-000074	CHIP RESISTOR		
	UR55	2007-000074	CHIP RESISTOR		
	UR56	2007-000074	CHIP RESISTOR		
	UR57	2007-000074	CHIP RESISTOR		
	UR58	2007-000074	CHIP RESISTOR		
	UR59	2007-000074	CHIP RESISTOR		
	UR6	2007-000074	CHIP RESISTOR		
	UR60	2007-000090	CHIP RESISTOR		
	UR61	2007-000090	CHIP RESISTOR		
	UR62	2007-000074	CHIP RESISTOR		
	UR63	2007-000074	CHIP RESISTOR		
	UR64	2007-000074	CHIP RESISTOR		
	UR65	2007-000074	CHIP RESISTOR		
	UR66	2007-000074	CHIP RESISTOR		
	UR67	2007-000074	CHIP RESISTOR		
	UR68	2007-000074	CHIP RESISTOR		
	UR69	2007-000074	CHIP RESISTOR		
	UR7	2007-000074	CHIP RESISTOR		
	UR70	2007-000074	CHIP RESISTOR		
	UR72	2007-000106	CHIP RESISTOR		
	UR73	2007-000084	CHIP RESISTOR		
	UR74	2007-000124	CHIP RESISTOR		
	UR75	2007-000072	CHIP RESISTOR		
	UR76	2007-000070	CHIP RESISTOR		
	UR77	2007-000090	CHIP RESISTOR		
	UR78	2007-000090	CHIP RESISTOR		
	UR79	2007-000090	CHIP RESISTOR		
	UR8	2007-000078	CHIP RESISTOR		
	UR80	2007-000070	CHIP RESISTOR		
	UR81	2007-000090	CHIP RESISTOR		
	UR83	2007-000090	CHIP RESISTOR		
	UR84	2007-000130	CHIP RESISTOR		
	UR85	2007-000090	CHIP RESISTOR		
	UR86	2007-000074	CHIP RESISTOR		
	UR89	2007-000070	CHIP RESISTOR		
	UR9	2007-000078	CHIP RESISTOR		
	UR90	2007-000082	CHIP RESISTOR		
	UR91	2007-000082	CHIP RESISTOR		
	UR95	2007-000074	CHIP RESISTOR		
	UR96	2007-000074	CHIP RESISTOR		
	UR97	2007-000074	CHIP RESISTOR		
	UX2	2802-001157	RESONATOR		
	VW11	3708-001464	CONNECTOR		

■ Electrical parts list (Front board)

Block No. 03

△	Item	Parts number	Parts name	Remarks	Area
	FW1	3708-000451	CONNECTOR		
	FW2	3711-000906	CONNECTOR		
	FW3	AH39-00176A	LEAD CONNECTOR	1061#26	
	SW1	3404-001182	TACT SWITCH		
	SW10	3404-001182	TACT SWITCH		
	SW11	3404-001182	TACT SWITCH		
	SW2	3404-001182	TACT SWITCH		
	SW3	3404-001182	TACT SWITCH		
	SW4	3404-001182	TACT SWITCH		
	SW5	3404-001182	TACT SWITCH		
	SW6	3404-001182	TACT SWITCH		
	SW7	3404-001182	TACT SWITCH		
	SW8	3404-001182	TACT SWITCH		
	SW9	3404-001182	TACT SWITCH		
	UC1	2201-000783	C.CAPACITOR		
	UC2	2201-000783	C.CAPACITOR		
	UC3	2401-000475	E.CAPACITOR		
	UC4	2201-000565	C.CAPACITOR		
	UC5	2201-000565	C.CAPACITOR		
	UC6	2401-001912	E.CAPACITOR		
	UC7	2202-000780	C.CAPACITOR		
	UC80	2202-000797	C.CAPACITOR		
	UC9	2201-000389	C.CAPACITOR		
	UD1	0402-000127	DIODE		
	UD10	0402-000127	DIODE		
	UD2	0402-000127	DIODE		
	UD3	0401-000101	DIODE		
	UD4	0401-000101	DIODE		
	UEYE	AC59-60060A	REMOCON EYE		
	UIC10	1003-001403	IC		
	ULD3	0601-001238	LED		
	ULD4	0601-001432	LED	SLP340BL10F	
	UQ1	0504-001003	DEGI TRANSISTOR		
	UQ2	0504-001003	DEGI TRANSISTOR		
	UQ3	0504-000118	DEGI TRANSISTOR		
	UR31	2001-000023	CARBON RESISTOR		
	UR32	2001-000023	CARBON RESISTOR		
	UR35	2001-000281	CARBON RESISTOR		
	UR36	2001-000281	CARBON RESISTOR		
	UR37	2001-000281	CARBON RESISTOR		
	UR38	2001-000281	CARBON RESISTOR		
	UR39	2001-000290	CARBON RESISTOR		
	UR40	2001-000290	CARBON RESISTOR		
	UR41	2001-000802	CARBON RESISTOR		
	UR42	2001-000062	CARBON RESISTOR		
	UR43	2001-000554	CARBON RESISTOR		
	UR69	2001-000429	CARBON RESISTOR		
	UR70	2001-000221	CARBON RESISTOR		
	UR71	2001-000241	CARBON RESISTOR		
	UR72	2001-000258	CARBON RESISTOR		
	UR73	2001-000472	CARBON RESISTOR		
	UR74	2001-000613	CARBON RESISTOR		
	UR75	2001-000802	CARBON RESISTOR		
	UR76	2001-000290	CARBON RESISTOR		
	UR77	2001-000411	CARBON RESISTOR		
	UR78	2001-000864	CARBON RESISTOR		
	UR80	2001-000290	CARBON RESISTOR		
	UWIRE	AH39-50001L	LEAD FASTEN		
	UZD1	0403-000367	ZENER DIODE	UZ7.5BSC	
	VFD	AH07-00056A	VFD	HNV-11SS34T	

■ Electrical parts list (Jack board)

Block No. 04

△	Item	Parts number	Parts name	Remarks	Area
	VC1	2201-000783	C.CAPACITOR		
	VC14	2401-001954	E.CAPACITOR		
	VC15	2401-001102	E.CAPACITOR		
	VC18	2401-001102	E.CAPACITOR		
	VC19	2401-001102	E.CAPACITOR		
	VC2	2401-001102	E.CAPACITOR		
	VC20	2401-001102	E.CAPACITOR		
	VC9	2401-001975	E CAPACITOR		
	VFB1	3301-000297	BEAD		
	VIC4	1001-001173	IC		
	VJ2	3722-001693	JACK-PIN		
	VJ4	AH37-00005A	RCA-JACK	S-440B YELLOW(W)	
	VJ5	3722-001502	JACK-DIN		
	VR10	2001-000938	RESISTOR		
	VR14	2001-000938	RESISTOR		
	VR18	2001-000780	RESISTOR		
	VR19	2001-000869	RESISTOR		
	VR20	2001-000449	RESISTOR		
	VR22	2001-000786	RESISTOR		
	VR23	2001-000786	RESISTOR		
	VR25	2001-000969	RESISTOR		
	VR26	2001-000969	RESISTOR		
	VR3	2001-000938	RESISTOR		
	VR32	2001-000645	RESISTOR		
	VW1	3711-004110	CONNECTOR		
	VW2	3708-000347	CONNECTOR		

■ Electrical parts list (DVD loader board)

Block No. 05

△	Item	Parts number	Parts name	Remarks	Area	△	Item	Parts number	Parts name	Remarks	Area
	CE1	2401-001975	E.CAPACITOR				C59	2203-000972	CHIP CAPACITOR		
	CE10	2401-001975	E.CAPACITOR				C6	2203-005005	CHIP CAPACITOR		
	CE11	2401-001975	E.CAPACITOR				C60	2203-001126	CHIP CAPACITOR		
	CE12	2401-001895	E.CAPACITOR				C61	2203-001126	CHIP CAPACITOR		
	CE14	2401-001975	E.CAPACITOR				C62	2203-001126	CHIP CAPACITOR		
	CE15	2401-001975	E.CAPACITOR				C63	2203-001126	CHIP CAPACITOR		
	CE19	2401-001895	E.CAPACITOR				C64	2203-005005	CHIP CAPACITOR		
	CE2	2401-001975	E.CAPACITOR				C65	2203-000236	CHIP CAPACITOR		
	CE3	2401-001975	E.CAPACITOR				C66	2203-000440	CHIP CAPACITOR		
	CE4	2401-001502	E.CAPACITOR				C67	2203-002494	CHIP CAPACITOR		
	CE5	2401-001975	E.CAPACITOR				C68	2203-000236	CHIP CAPACITOR		
	CE6	2401-000778	E.CAPACITOR				C69	2203-002494	CHIP CAPACITOR		
	CE7	2401-001895	E.CAPACITOR				C7	2203-005005	CHIP CAPACITOR		
	CE8	2401-001895	E.CAPACITOR				C70	2203-005005	CHIP CAPACITOR		
	CE9	2401-001975	E.CAPACITOR				C71	2203-001103	CHIP CAPACITOR		
	C1	2203-005005	CHIP CAPACITOR				C72	2203-000440	CHIP CAPACITOR		
	C10	2203-005005	CHIP CAPACITOR				C73	2203-005005	CHIP CAPACITOR		
	C11	2203-005005	CHIP CAPACITOR				C74	2203-005005	CHIP CAPACITOR		
	C12	2203-000998	CHIP CAPACITOR				C75	2203-005005	CHIP CAPACITOR		
	C13	2203-000998	CHIP CAPACITOR				C76	2203-005005	CHIP CAPACITOR		
	C14	2203-005005	CHIP CAPACITOR				C77	2203-005005	CHIP CAPACITOR		
	C15	2203-005005	CHIP CAPACITOR				C78	2203-005005	CHIP CAPACITOR		
	C16	2203-005005	CHIP CAPACITOR				C79	2203-005005	CHIP CAPACITOR		
	C17	2203-002494	CHIP CAPACITOR				C8	2203-005005	CHIP CAPACITOR		
	C18	2203-000972	CHIP CAPACITOR				C80	2203-005005	CHIP CAPACITOR		
	C19	2203-001656	CHIP CAPACITOR				C81	2203-005005	CHIP CAPACITOR		
	C2	2203-005005	CHIP CAPACITOR				C82	2203-005005	CHIP CAPACITOR		
	C20	2203-001656	CHIP CAPACITOR				C83	2203-005005	CHIP CAPACITOR		
	C21	2203-001103	CHIP CAPACITOR				C84	2402-000176	E.CAPACITOR		
	C23	2203-000440	CHIP CAPACITOR				C85	2203-005005	CHIP CAPACITOR		
	C24	2203-000440	CHIP CAPACITOR				C86	2203-005005	CHIP CAPACITOR		
	C25	2203-000440	CHIP CAPACITOR				C87	2203-005005	CHIP CAPACITOR		
	C26	2203-001573	CHIP CAPACITOR				C88	2203-005005	CHIP CAPACITOR		
	C27	2203-001573	CHIP CAPACITOR				C9	2203-001573	CHIP CAPACITOR		
	C28	2203-001573	CHIP CAPACITOR				D1	0407-000114	DIODE-ARRAY		
	C29	2203-001573	CHIP CAPACITOR				D3	0407-000116	DIODE-ARRAY		
	C3	2203-005005	CHIP CAPACITOR				J2	3711-003111	CONNECTOR		
	C30	2203-001573	CHIP CAPACITOR				J3	3708-001645	CONNECTOR		
	C31	2203-001573	CHIP CAPACITOR				J4	AH39-00368A	CONNECTOR		
	C32	2203-000998	CHIP CAPACITOR				J5	3711-001018	CONNECTOR		
	C34	2203-001573	CHIP CAPACITOR				L2	3301-001495	BEAD		
	C35	2203-001573	CHIP CAPACITOR				L3	3301-001495	BEAD		
	C36	2203-005005	CHIP CAPACITOR				L4	2703-000001	INDUCTOR		
	C38	2203-000257	CHIP CAPACITOR				L7	2703-000001	INDUCTOR		
	C39	2203-005005	CHIP CAPACITOR				Q2	0504-000128	DEGI-TRANSISTOR		
	C4	2203-000604	CHIP CAPACITOR				Q3	0501-000632	TRANSISTOR		
	C40	2203-005261	CHIP CAPACITOR				Q4	0501-000632	TRANSISTOR		
	C44	2203-005005	CHIP CAPACITOR				R100	2007-000113	CHIP RESISTOR		
	C45	2203-005005	CHIP CAPACITOR				R101	2007-000113	CHIP RESISTOR		
	C46	2203-005005	CHIP CAPACITOR				R102	2007-000113	CHIP RESISTOR		
	C47	2203-005005	CHIP CAPACITOR				R103	2007-000072	CHIP RESISTOR		
	C48	2203-005005	CHIP CAPACITOR				R104	2007-000113	CHIP RESISTOR		
	C49	2203-005005	CHIP CAPACITOR				R105	2007-000072	CHIP RESISTOR		
	C5	2203-005005	CHIP CAPACITOR				R106	2007-000113	CHIP RESISTOR		
	C50	2203-005005	CHIP CAPACITOR				R107	2007-000072	CHIP RESISTOR		
	C51	2203-005005	CHIP CAPACITOR				R108	2007-000113	CHIP RESISTOR		
	C52	2203-005005	CHIP CAPACITOR				R109	2007-000113	CHIP RESISTOR		
	C53	2203-005005	CHIP CAPACITOR				R11	2007-000124	CHIP RESISTOR		
	C54	2203-001126	CHIP CAPACITOR				R110	2007-000113	CHIP RESISTOR		
	C55	2203-005005	CHIP CAPACITOR				R111	2007-000072	CHIP RESISTOR		
	C56	2203-001628	CHIP CAPACITOR				R115	2007-000070	CHIP RESISTOR		
	C57	2203-001628	CHIP CAPACITOR				R116	2007-000094	CHIP RESISTOR		
	C58	2203-001628	CHIP CAPACITOR				R117	2007-000075	CHIP RESISTOR		

■ Electrical parts list (DVD loader board)

Block No. 05

△	Item	Parts number	Parts name	Remarks	Area	△	Item	Parts number	Parts name	Remarks	Area
	R118	2007-000084	CHIP RESISTOR				R35	2007-000113	CHIP RESISTOR		
	R119	2007-000084	CHIP RESISTOR				R36	2007-000113	CHIP RESISTOR		
	R12	2007-000113	CHIP RESISTOR				R38	2007-000113	CHIP RESISTOR		
	R120	2007-000082	CHIP RESISTOR				R39	2007-000113	CHIP RESISTOR		
	R121	2007-000094	CHIP RESISTOR				R4	2007-000084	CHIP RESISTOR		
	R122	2007-000090	CHIP RESISTOR				R45	2007-000078	CHIP RESISTOR		
	R123	2007-000094	CHIP RESISTOR				R46	2007-000074	CHIP RESISTOR		
	R124	2007-000070	CHIP RESISTOR				R47	2007-000078	CHIP RESISTOR		
	R125	2007-000090	CHIP RESISTOR				R48	2007-000090	CHIP RESISTOR		
	R126	2007-000094	CHIP RESISTOR				R49	2007-000094	CHIP RESISTOR		
	R127	2007-000090	CHIP RESISTOR				R5	2007-000090	CHIP RESISTOR		
	R128	2007-000094	CHIP RESISTOR				R50	2007-000084	CHIP RESISTOR		
	R129	2007-000090	CHIP RESISTOR				R52	2007-000109	CHIP RESISTOR		
	R13	2007-000113	CHIP RESISTOR				R53	2007-000070	CHIP RESISTOR		
	R131	2007-000070	CHIP RESISTOR				R54	2007-000070	CHIP RESISTOR		
	R132	2007-001179	CHIP RESISTOR				R56	2007-000090	CHIP RESISTOR		
	R135	2007-000084	CHIP RESISTOR				R57	2007-000090	CHIP RESISTOR		
	R137	2007-000084	CHIP RESISTOR				R58	2007-000090	CHIP RESISTOR		
	R14	2007-000113	CHIP RESISTOR				R59	2007-000090	CHIP RESISTOR		
	R142	2007-000070	CHIP RESISTOR				R6	2007-000124	CHIP RESISTOR		
	R143	2007-000090	CHIP RESISTOR				R60	2007-000090	CHIP RESISTOR		
	R145	2007-000082	CHIP RESISTOR				R61	2007-000090	CHIP RESISTOR		
	R147	2007-000082	CHIP RESISTOR				R62	2007-000090	CHIP RESISTOR		
	R148	2007-000070	CHIP RESISTOR				R63	2007-000090	CHIP RESISTOR		
	R149	2007-000109	CHIP RESISTOR				R64	2007-000090	CHIP RESISTOR		
	R15	2007-000113	CHIP RESISTOR				R65	2007-000090	CHIP RESISTOR		
	R150	2007-000309	CHIP RESISTOR				R66	2007-000090	CHIP RESISTOR		
	R151	2007-000090	CHIP RESISTOR				R67	2007-000090	CHIP RESISTOR		
	R152	2007-000090	CHIP RESISTOR				R68	2007-000090	CHIP RESISTOR		
	R153	2007-000078	CHIP RESISTOR				R69	2007-000090	CHIP RESISTOR		
	R155	2007-002425	CHIP RESISTOR				R7	2007-000078	CHIP RESISTOR		
	R156	2007-002425	CHIP RESISTOR				R70	2007-000090	CHIP RESISTOR		
	R157	2007-002425	CHIP RESISTOR				R71	2007-000090	CHIP RESISTOR		
	R158	2007-002425	CHIP RESISTOR				R72	2007-000090	CHIP RESISTOR		
	R159	2007-000102	CHIP RESISTOR				R73	2007-000090	CHIP RESISTOR		
	R16	2007-000113	CHIP RESISTOR				R74	2007-000090	CHIP RESISTOR		
	R160	2007-000102	CHIP RESISTOR				R75	2007-000090	CHIP RESISTOR		
	R161	2007-000102	CHIP RESISTOR				R76	2007-000090	CHIP RESISTOR		
	R162	2007-000077	CHIP RESISTOR				R77	2007-000090	CHIP RESISTOR		
	R166	2007-000075	CHIP RESISTOR				R78	2007-000090	CHIP RESISTOR		
	R167	2007-000309	CHIP RESISTOR				R79	2007-000090	CHIP RESISTOR		
	R168	2007-000078	CHIP RESISTOR				R80	2007-000090	CHIP RESISTOR		
	R17	2007-000102	CHIP RESISTOR				R82	2007-000074	CHIP RESISTOR		
	R170	2007-000078	CHIP RESISTOR				R83	2007-000074	CHIP RESISTOR		
	R171	2007-000078	CHIP RESISTOR				R84	2007-000074	CHIP RESISTOR		
	R173	2007-000070	CHIP RESISTOR				R85	2007-000074	CHIP RESISTOR		
	R18	2007-000102	CHIP RESISTOR				R86	2007-000074	CHIP RESISTOR		
	R19	2007-000084	CHIP RESISTOR				R87	2007-000074	CHIP RESISTOR		
	R20	2007-000097	CHIP RESISTOR				R88	2007-000074	CHIP RESISTOR		
	R22	2007-000094	CHIP RESISTOR				R89	2007-000074	CHIP RESISTOR		
	R23	2007-000113	CHIP RESISTOR				R90	2007-000074	CHIP RESISTOR		
	R24	2007-000074	CHIP RESISTOR				R91	2007-000074	CHIP RESISTOR		
	R25	2007-000090	CHIP RESISTOR				R92	2007-000074	CHIP RESISTOR		
	R26	2007-000082	CHIP RESISTOR				R93	2007-000074	CHIP RESISTOR		
	R27	2007-000082	CHIP RESISTOR				R94	2007-000074	CHIP RESISTOR		
	R28	2007-000090	CHIP RESISTOR				R95	2007-000074	CHIP RESISTOR		
	R29	2007-000113	CHIP RESISTOR				R96	2007-000074	CHIP RESISTOR		
	R3	2007-000124	CHIP RESISTOR				R97	2007-000074	CHIP RESISTOR		
	R30	2007-000097	CHIP RESISTOR				R98	2007-000113	CHIP RESISTOR		
	R31	2007-000070	CHIP RESISTOR				R99	2007-000113	CHIP RESISTOR		
	R32	2007-000082	CHIP RESISTOR				U1	1105-001372	IC		
	R33	2007-000084	CHIP RESISTOR				U10	1003-001418	IC		
	R34	2007-000113	CHIP RESISTOR				U2	1204-001871	IC		

■ Electrical parts list (DVD loader board)

Block No. 05

△	Item	Parts number	Parts name	Remarks	Area
	U3	0903-001246	IC		
	U4	1203-001369	IC		
	U5	1203-001293	IC		
	U6	1003-001305	IC		
	U7	1201-001790	IC		
	U9	3708-001574	CONNECTOR		
	X1	2801-000261	CRYSTAL		
	ZD1	0403-000357	ZENER DIODE		

■ Electrical parts list (DVD MPEG board)

Block No. 06

△	Item	Parts number	Parts name	Remarks	Area
	C101	2203-005005	CHIP CAPACITOR		
	C102	2203-000257	CHIP CAPACITOR		
	C103	2203-005005	CHIP CAPACITOR		
	C104	2203-005005	CHIP CAPACITOR		
	C105	2203-005005	CHIP CAPACITOR		
	C106	2203-005005	CHIP CAPACITOR		
	C107	2203-005005	CHIP CAPACITOR		
	C28	2402-001059	E.CAPACITOR		
	C29	2203-005005	CHIP CAPACITOR		
	C30	2402-001059	E.CAPACITOR		
	C31	2203-005005	CHIP CAPACITOR		
	C32	2203-005005	CHIP CAPACITOR		
	C33	2402-000179	E.CAPACITOR		
	C36	2203-005005	CHIP CAPACITOR		
	C37	2203-005005	CHIP CAPACITOR		
	C38	2402-000179	E.CAPACITOR		
	C46	2203-005005	CHIP CAPACITOR		
	C48	2402-000179	E.CAPACITOR		
	C50	2203-005005	CHIP CAPACITOR		
	C51	2203-005005	CHIP CAPACITOR		
	C54	2203-005005	CHIP CAPACITOR		
	C55	2203-005005	CHIP CAPACITOR		
	C59	2203-005005	CHIP CAPACITOR		
	C61	2203-005005	CHIP CAPACITOR		
	C62	2203-005005	CHIP CAPACITOR		
	C64	2203-005005	CHIP CAPACITOR		
	C66	2203-005005	CHIP CAPACITOR		
	C67	2203-005005	CHIP CAPACITOR		
	C68	2402-000179	E.CAPACITOR		
	C69	2402-001059	E.CAPACITOR		
	C70	2203-005005	CHIP CAPACITOR		
	C71	2203-005005	CHIP CAPACITOR		
	C73	2402-001059	E.CAPACITOR		
	C75	2203-005005	CHIP CAPACITOR		
	C76	2203-005005	CHIP CAPACITOR		
	C77	2203-005005	CHIP CAPACITOR		
	C79	2203-005005	CHIP CAPACITOR		
	C80	2203-005005	CHIP CAPACITOR		
	C82	2402-000179	E.CAPACITOR		
	C84	2402-000176	E.CAPACITOR		
	C85	2402-001059	E.CAPACITOR		
	C86	2203-005005	CHIP CAPACITOR		
	C87	2203-005005	CHIP CAPACITOR		
	C88	2203-005005	CHIP CAPACITOR		
	C89	2203-005005	CHIP CAPACITOR		
	C90	2203-005005	CHIP CAPACITOR		
	C96	2203-000384	CHIP CAPACITOR		
	C97	2203-000552	CHIP CAPACITOR		
	C98	2203-005005	CHIP CAPACITOR		
	C99	2203-005005	CHIP CAPACITOR		
	DC1	2203-005005	CHIP CAPACITOR		
	DR1	2007-000074	CHIP RESISTOR		
	DR2	2007-000074	CHIP RESISTOR		
	DR3	2007-000074	CHIP RESISTOR		
	DR4	2007-000074	CHIP RESISTOR		
	DR5	2007-000074	CHIP RESISTOR		
	DR6	2007-000074	CHIP RESISTOR		
	DR7	2007-000074	CHIP RESISTOR		
	DR8	2007-000074	CHIP RESISTOR		
	DR9	2007-000074	CHIP RESISTOR		
	J14	3708-001615	CONNECTOR		
	J21	3708-001646	CONNECTOR		
	J6	3708-001645	CONNECTOR		

△	Item	Parts number	Parts name	Remarks	Area
	L1	3301-001495	BEAD		
	L30	3301-000353	BEAD		
	L32	3301-000353	BEAD		
	L38	3301-001495	BEAD		
	L39	3301-001495	BEAD		
	L40	3301-000353	BEAD		
	L41	3301-000353	BEAD		
	L42	3301-000353	BEAD		
	L43	3301-000353	BEAD		
	L44	3301-000353	BEAD		
	L47	3301-000353	BEAD		
	L48	3301-000353	BEAD		
	L49	3301-000353	BEAD		
	L50	3301-001495	BEAD		
	L52	3301-000353	BEAD		
	L53	3301-000353	BEAD		
	L54	3301-000353	BEAD		
	L55	3301-001495	BEAD		
	L56	3301-001495	BEAD		
	OL1	3301-000353	BEAD		
	OL2	3301-000353	BEAD		
	PL1	3301-000353	BEAD		
	PL3	3301-000325	BEAD		
	Q3	0501-000314	TRANSISTOR		
	Q4	0501-000314	TRANSISTOR		
	Q5	0501-000314	TRANSISTOR		
	Q6	0501-000314	TRANSISTOR		
	Q7	0501-000314	TRANSISTOR		
	Q8	0501-000314	TRANSISTOR		
	R10	2007-000070	CHIP RESISTOR		
	R107	2007-000086	CHIP RESISTOR		
	R108	2007-000084	CHIP RESISTOR		
	R109	2007-000084	CHIP RESISTOR		
	R110	2007-000084	CHIP RESISTOR		
	R111	2007-000084	CHIP RESISTOR		
	R112	2007-000084	CHIP RESISTOR		
	R114	2007-000070	CHIP RESISTOR		
	R31	2007-000084	CHIP RESISTOR		
	R32	2007-000084	CHIP RESISTOR		
	R34	2007-000070	CHIP RESISTOR		
	R5V	2007-000070	CHIP RESISTOR		
	R53	2007-000084	CHIP RESISTOR		
	R55	2007-000122	CHIP RESISTOR		
	R56	2007-000084	CHIP RESISTOR		
	R57	2007-000113	CHIP RESISTOR		
	R58	2007-000113	CHIP RESISTOR		
	R59	2007-000113	CHIP RESISTOR		
	R6	2007-000113	CHIP RESISTOR		
	R60	2007-000116	CHIP RESISTOR		
	R61	2007-000075	CHIP RESISTOR		
	R63	2007-000113	CHIP RESISTOR		
	R64	2007-000113	CHIP RESISTOR		
	R66	2007-000113	CHIP RESISTOR		
	R68	2007-000113	CHIP RESISTOR		
	R71	2007-000113	CHIP RESISTOR		
	R73	2007-000113	CHIP RESISTOR		
	R75	2007-000113	CHIP RESISTOR		
	R78	2007-000113	CHIP RESISTOR		
	R79	2007-000113	CHIP RESISTOR		
	R8	2007-000113	CHIP RESISTOR		
	R80	2007-000113	CHIP RESISTOR		
	R81	2007-000113	CHIP RESISTOR		
	R82	2007-000113	CHIP RESISTOR		

■ Electrical parts list (DVD MPEG board)

Block No. 06

△	Item	Parts number	Parts name	Remarks	Area
	R83	2007-000113	CHIP RESISTOR		
	R84	2007-000113	CHIP RESISTOR		
	R85	2007-000113	CHIP RESISTOR		
	R86	2007-000113	CHIP RESISTOR		
	R88	2007-000113	CHIP RESISTOR		
	R9	2007-000070	CHIP RESISTOR		
	R90	2007-000113	CHIP RESISTOR		
	R98	2007-000084	CHIP RESISTOR		
	R99	2007-000078	CHIP RESISTOR		
	U10	0802-001109	IC		
	U11	0802-001109	IC		
	U12	0802-001109	IC		
	U15	0801-002683	IC		
	U5	1105-001376	IC		
	U6	1107-001318	IC		
	U8	1204-001863	IC		
	U9	1203-002369	IC		
	VC10	2203-005005	CHIP CAPACITOR		
	VJL1	2007-000029	CHIP RESISTOR		
	VL1	3301-000353	BEAD		
	VR1	2007-000402	CHIP RESISTOR		
	VR10	2007-000402	CHIP RESISTOR		
	VR11	2007-000070	CHIP RESISTOR		
	VR12	2007-000115	CHIP RESISTOR		
	VR13	2007-000402	CHIP RESISTOR		
	VR14	2007-000070	CHIP RESISTOR		
	VR15	2007-001042	CHIP RESISTOR		
	VR16	2007-000402	CHIP RESISTOR		
	VR17	2007-000070	CHIP RESISTOR		
	VR2	2007-000115	CHIP RESISTOR		
	VR3	2007-000070	CHIP RESISTOR		
	VR4	2007-000115	CHIP RESISTOR		
	VR5	2007-000402	CHIP RESISTOR		
	VR6	2007-000070	CHIP RESISTOR		
	VR7	2007-000402	CHIP RESISTOR		
	VR8	2007-000070	CHIP RESISTOR		
	VR9	2007-000115	CHIP RESISTOR		
	X1	2801-004132	CRYSTAL		

< MEMO >

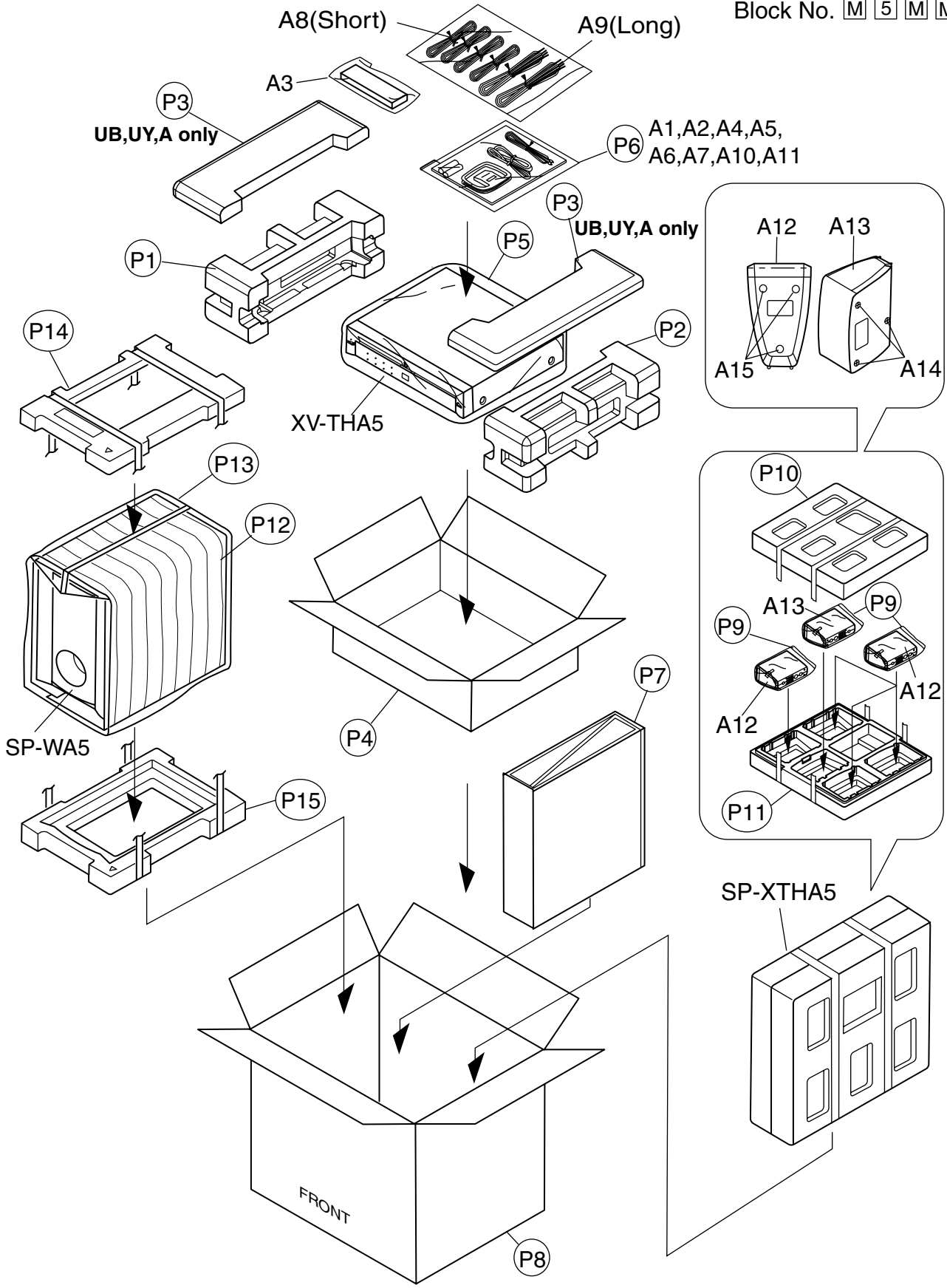
Packing materials and accessories parts list

Block No.

M	3	M	M
---	---	---	---

Block No.

M	5	M	M
---	---	---	---



■ Parts list (Packing)

Block No. M3MM

A	Item	Parts number	Parts name	Q'ty	Description	Area
	P 1	AH69-00532A	CUSHION	1	SIDE L	
	P 2	AH69-00533A	CUSHION	1	SIDE R	
	P 3	AH69-00581A	CUSHION	2	PAD	UB,UY,A
	P 4	AH69-00552E	PACKING-CASE	1	FOR SET	UB,UY,A
		AH69-00552A	PACKING CASE	1	FOR SET	US,UJ,UG,UW
	P 5	AH69-10081H	POLY BAG	1	FOR SET	
	P 6	AH69-00525B	POLY BAG	1	FOR INSTRUCT	
	P 7	AH69-00665A	PAD-ROLL	1		
	P 8	AH69-00664A	MASTER-CARTON	1		UJ
		AH69-00664A	MASTER-CARTON	1		US,UG,UW
		AH69-00664D	MASTER-CARTON	1		UB,UY,A
	P 9	85-000-327-71	POLY BAG	5	SP-XSA5K.XCA5K	
	P 10	80-000-474-01	TOP CUSHION	1	SP-XSA5K.XCA5K	
	P 11	80-000-474-11	BOTTOM CUSHION	1	SP-XSA5K.XCA5K	
	P 12	85-000-353-51	MIRROR MAT	1	SP-WA5	
	P 13	85-000-434-01	POLY BAG	1	SP-WA5	
	P 14	80-000-475-01	TOP CUSHION	1	SP-WA5	
	P 15	80-000-475-11	BOTTOM CUSHION	1	SP-WA5	

■ Parts list (Accessories)

Block No. M5MM

A	Item	Parts number	Parts name	Q'ty	Description	Area
A	A 1	AH68-01011P	INSTRUCTIONS	1	ENG.ARA	UG
		AH68-01011J	INSTRUCTIONS	1	ENG	A
		AH68-01011Q	INSTRUCTIONS	1	ENG	UJ
		AH68-01011B	INSTRUCTIONS	1	ENG.CHI	US,UB
		AH68-01011BD	INSTRUCTIONS	1	ENG.SPA.POR	UY,UW
	A 2	-----	BATTERY	1		
	A 3	AH59-00129D	REMOCON ASS'Y	1		
	A 4	3721-000117	CONTI PLAG	1		US,UJ,UG,UW
	A 5	AH38-10001A	FM ANTENNA	1		
	A 6	AH42-20001P	AM ANTENNA	1		
	A 7	AH39-40001V	RCA CABL	1		
	A 8	AH39-00375A	SPEAKER CORD	4	SHORT	
	A 9	AH39-00376A	SPEAKER CORD	2	LONG	
	A 10	AH68-00416E	SVC NETWORK	1		A
	A 11	AH68-00415E	WARRANTY CARD	1		A
A 12	SP-XSA5K	SPK.BOX	4			
A 13	SP-XCA5K	SPK.BOX	1			
A 14	90-000-053-01	FOOT	3	SP-XCA5K		
A 15	90-000-053-11	FOOT	12	SP-XSA5K		